



**CAUTION:**

BEFORE INSTALLING FIXTURE, MAKE SURE THE POWER TO THE CIRCUIT IS TURNED OFF AT THE MAIN FUSE BOX / CIRCUIT BREAKER UTILITY BOX.

**Important Safety Instructions:**

• These instructions are provided for your safety. It is very important that they are read carefully and completely before beginning the assembly and installation of this lighting fixture.

• **We strongly recommend that a professional electrician install all direct wire fixtures.**

• THIS PRODUCT MUST BE INSTALLED IN ACCORDANCE WITH THE APPLICABLE INSTALLATION CODES BY A PERSON FAMILIAR WITH THE CONSTRUCTION AND OPERATION OF THE PRODUCT AND THE HAZARDS INVOLVED.

• The lighting fixture is meant for indoor use. DAMP or DRY LOCATIONS. It must be connected only to 3-wire, single-phase electrical supply systems (provided with ground wire or equivalent protection system).

• This fixture has been rated for THREE (3) 25-watt maximum TYPE T candelabra base (E-12) incandescent bulbs (not included) or THREE (3) 9.5 -watt TYPE T candelabra base (E-12) LED bulbs (included).

To avoid the risk of fire, do not exceed the recommended lamp wattage.

• Save these instructions.

**WARNING:**

• To reduce the risk of fire, electrical shock, or personal injury, always turn off light fixture and allow it to cool prior to replacing lamp (bulb).

• Do not touch lamp (bulb) when fixture is turned on. Do not look directly at lit lamp (bulb).

• Keep flammable materials away from lit lamp (bulb).



---

**GENERAL NOTES:**

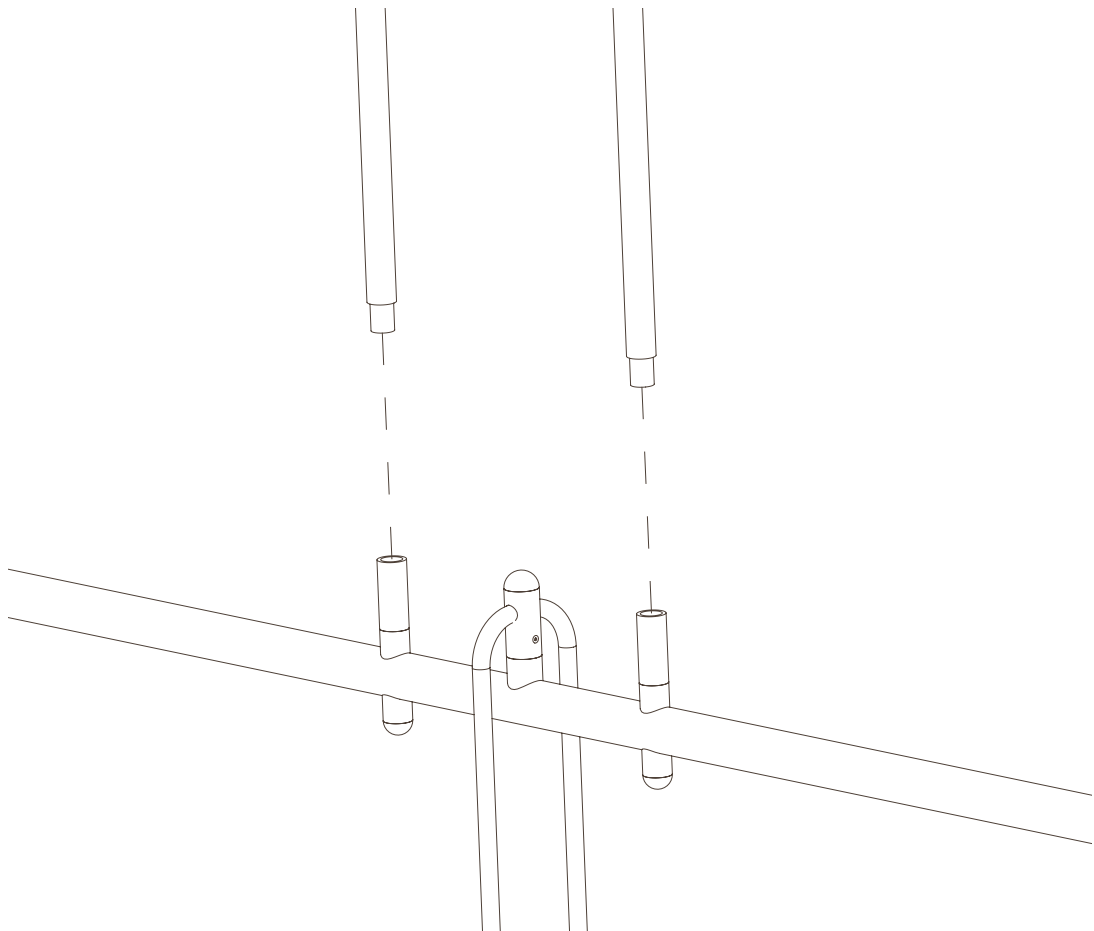
- Ceramic and brass collars should be attached AFTER fixture is installed and connected.

**STEP ONE:**

- Turn off circuit power.
- Prepare j-box.

**STEP TWO: Prepare fixture for install.**

- Slip wire from fixture through downrod assembly.
- Thread downrod into body.

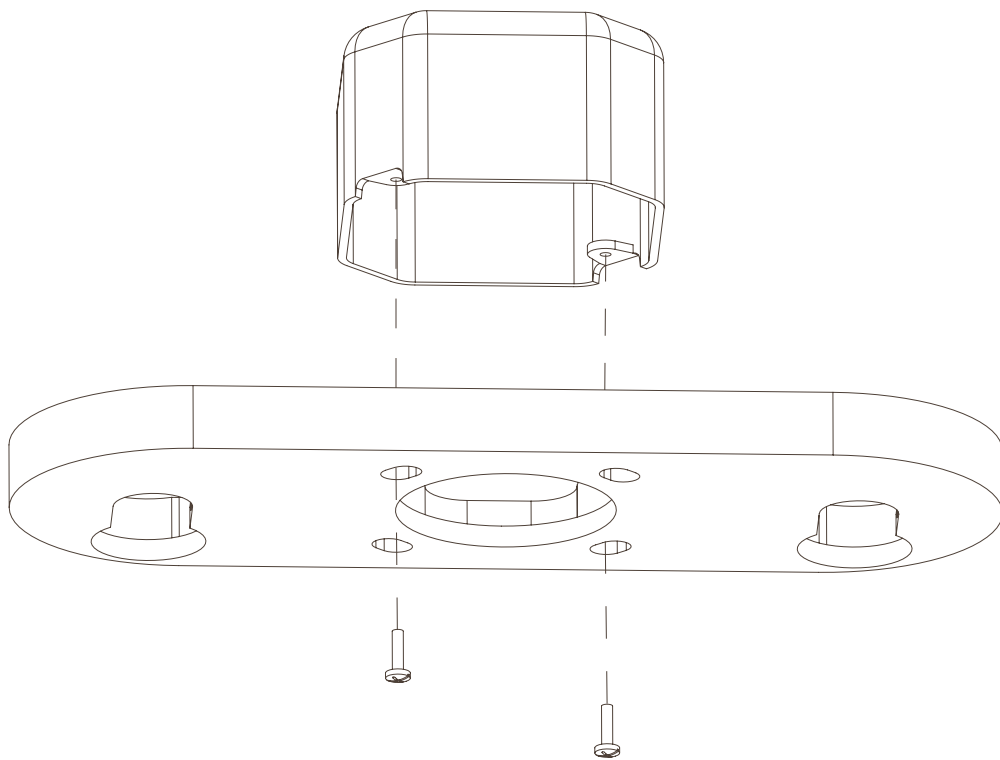




---

**STEP THREE:**

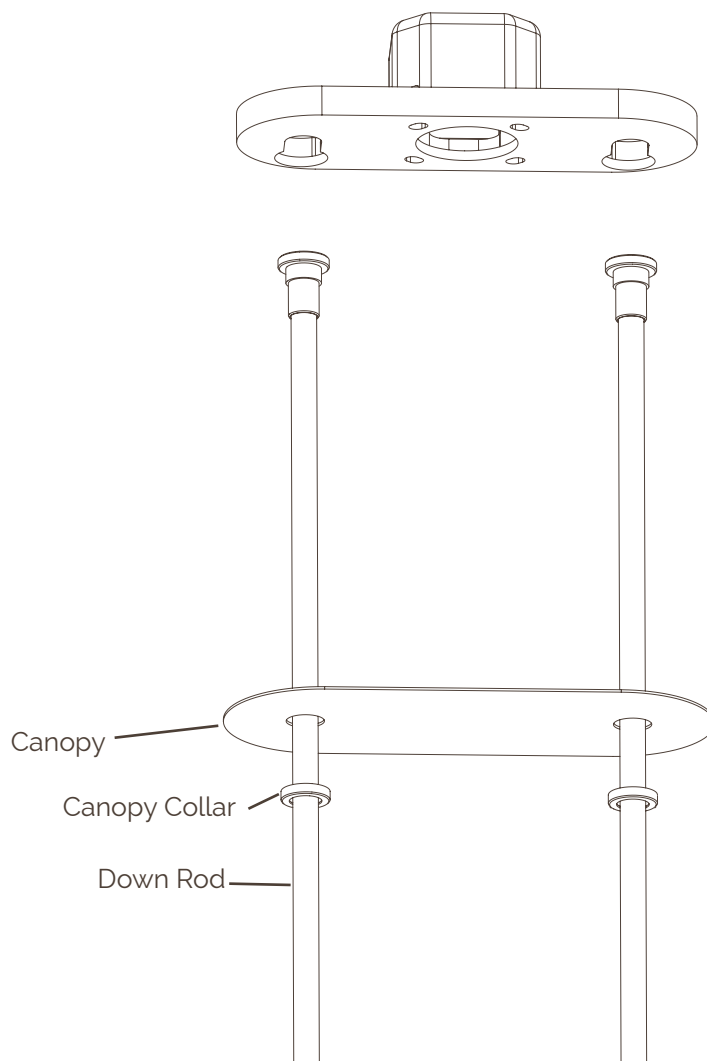
- Connect adapter plate to j-box.





**STEP FOUR:**

- With caution, slip canopy collars and canopy down the down rods
- Lift fixture into place on the adapter plate.





---

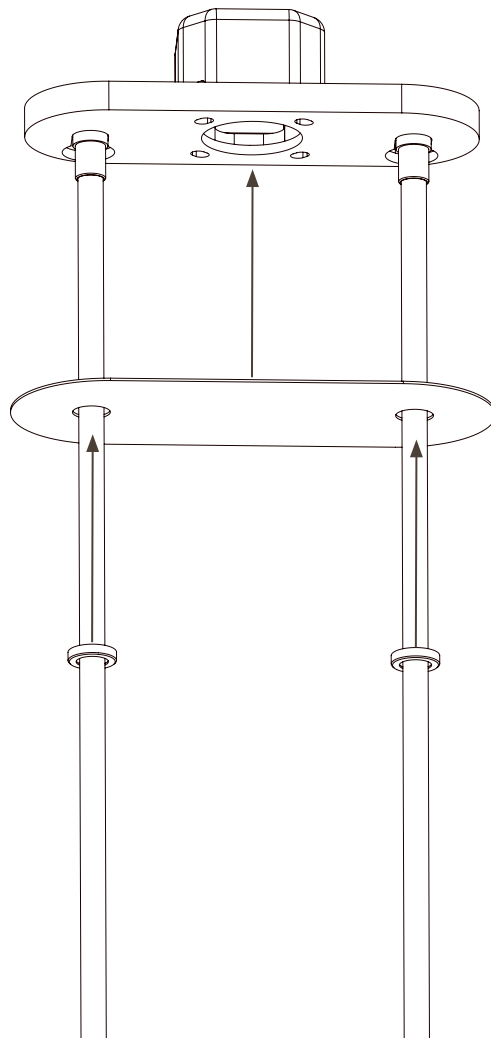
**STEP FIVE:**

- Make wire Connections

Notes:  
SMOOTH OR BLACK WIRE IS HOT WIRE  
Ribbed or white wire is the neutral wire.

**DO NOT REVERSE THE HOT AND NEUTRAL CONNECTIONS OR SAFETY WILL BE COMPROMISED.**

- Bring canopy up to cover the adapter plate and secure in place with canopy collars.





**STEP SIX:**

- Install ceramic with brass collars. There is a slightly oversized hole in the ceramic to allow for minor adjustments for leveling the bottom edges.
- Install included bulbs and glass diffusers.

**BE CAREFUL TO NOT OVER TIGHTEN BRASS COLLAR OR CERAMIC WILL CRACK.**

