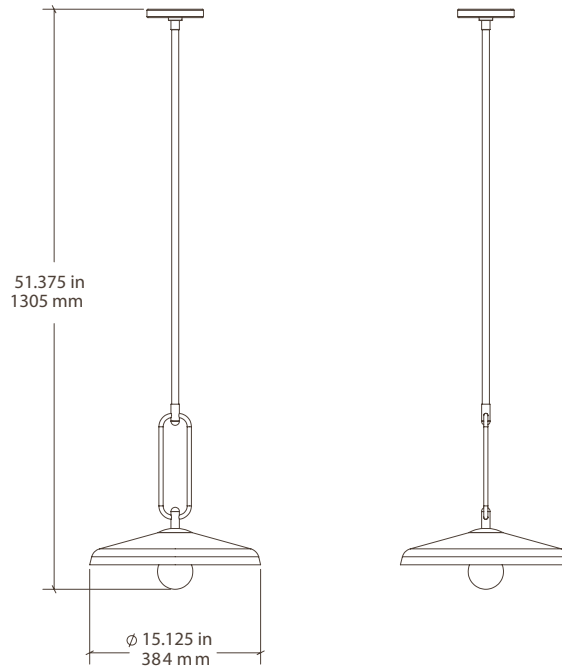




Bancroft Pendant Low Dome

Incandescent



Collection	Bancroft	Mounting	4 in octagon box
Number	PD-153	Canopy	5 in / 130 mm
Product	Pendant	Certifications	UL listed
Appx. Dimensions	H: 51.325 in / 1304 mm (Includes bulb) W: 15.125 in / 384 mm	Lamping	120V E26 G25 stretch filament LED
Weight	5.2 lbs / 2.4 kgs	Lamping Spec	4.5 w / 500 lm / 2700 k each
Materials	Brass & terracotta	Dimming	See compatability list for details.
Finishes	Available in any Pax brass & matte ceramic finish	Standard down rod is 33.75in/857mm. Can be cut to length on-site or ordered to length specified by desired fixture's overall height (OAH). Longer custom length available.	

SKU Key Finish legend available at paxlighting.com/finishes





Specifications

SKU Legend

XX-XXX Model	XXX- Metal Finish	XXX- Ceramic Finish	
SC	Textured White (TXW)	Verde Lichen (VDL)	Double Black Lichen (DBLL)
FM	Textured Ivory (TXI)	Double Verde Lichen (DVDL)	Verde Matte (VDM)
CF	Textured Black (TXB)	Azure Lichen (AZL)	Azure Matte (AZM)
PD	Brushed Brass (BRB)	Double Azure Lichen (DAZL)	Chocolate Matte (CHM)
FL	Light Aged Brass (LAB)	Ivory Lichen (IVL)	Black Matte (BLM)
TB	Dark Aged Brass (DAB)	Double Ivory Lichen (DIVL)	Forest Matte (FRM)
	Graphite (GRA)	Chocolate Lichen (CHL)	Navy Matte (NVM)
	Brushed Nickel (BRN)	Double Chocolate Lichen (DCHL)	Porcelain Body (IVP)
		Black Lichen (BLL)	

Incandescent Base Lamp Specs

G16.5 Stretch Filament LED

Type	E26 Edison Base	Type	E12 Candelabra Base
Watts Each	4.5	Watts Each	4
Lumens Each	500	Lumens Each	450
Color Temperature	2700 K	Color Temperature	2700 K
Life Expectancy	3 yrs, 25,000 hours	Life Expectancy	3 yrs, 25,000 hours

Dimmer Compatability

Brand	Model	
Lutron	TGCL-153P	
	SCL-153P	
	DVCL-153P	
	LGCL-153P	
	MACL-153M	
	PD-6WCL	
	AY-600P	
	D-600P	
	GL-600P	
	S-600P	
	DV-600P	
	SELV-300P	
	DVELV-300P	
	NTELV-500	
	RRD-6NA	
	MRF-2-6ELV-120	
	HQRD-6NA	
	Leviton	DSL06-1LZ
	Legrand	HCL45-3PW
	Forbes & Lomax	FLR603P
FLRLV603P		
Cooper	DAL06P	