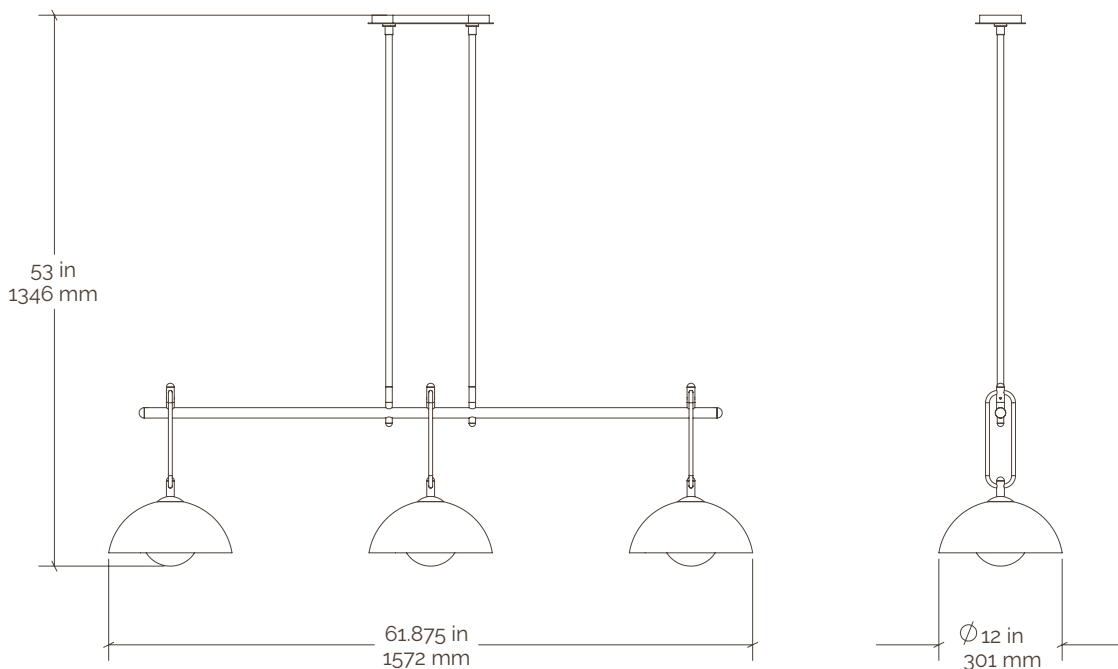




Bancroft Three Light Ceiling Fixture

Incandescent



Collection	Bancroft	Mounting	4 in octagon box or handy box
Number	BAN-CF01	Canopy	W: 4.75 in / 121 mm L: 12 in / 305 mm
Product	Pendant	Certifications	UL listed / Damp
Appx. Dimensions	H: 53 in / 1346 mm W: 61.875 in / 1572 mm	Ceramic Reflector	HM12
Weight	18 lbs / 8.1 kgs	Glass Diffuser	SP05
Materials	Brass & Terracotta	Lamping	120V / E12 Type T
Finishes	Available in any Pax brass & ceramic finish	Lamping Spec	9.5 w / 950 lm / 3000 k each
		Dimming	Dimmable with most incandescent and LED dimmers.

Down rod is 33.75in./857mm. Can be cut to length on-site or specified to length. Longer length available.

SKU Key Finish legend available at paxlighting.com/finishes

B	A	N	-	C	F	0	1	-					H	M	1	2	-					S	P	0	5	-	W
Model				Metal Finish				Ceramic				Ceramic Finish				Diffuser											



Specifications

SKU Legend

XX-	XXX-	XXX-	XXXX-	XXX-	Ceramic Finish	Ceramic Finish Cont.	XXXX-	X
Fixture Type	Family	Metal Finish	Ceramic	Ceramic Finish			Diffuser Shape	Diffuser Finish
CF (Ceiling Fixture)	BAN (Bancroft)	BRB (Brushed Brass)	HM04 (4" Diameter Hemisphere)	AZL (Azure Lichen)			SP03	W (White)
FM (Flush Mount)	EMM (Emmet)	BRN (Brushed Nickel)	HM07 (7" Diameter Hemisphere)	AZM (Azure Matte)	Ivory Lichen		SP04	
PD (Pendant)	DIX (Dixon)	DAB (Dark Aged Brass)	HM12 (12" Diameter Hemisphere)	BLL (Black Lichen)	DVDL (Double Verde Lichen)		SP05	
SC (Sconce)	LAW (Lawrence)	GRA (Graphite)	CN12 (12" Height Cone)	BLM (Black Matte)	FRM (Forest Matte)			
FL (Floor)	ROS (Roseland)	LAB (Light Aged Brass)	LD15 (15" Diameter Low Dome)	CHL (Chocolate Lichen)	IVL (Ivory Lichen)			
TB (Table)	CRE (Creston)	TXB (Textured Black)	TB04 (4" Short Tube)	CHM (Chocolate Matte)	IVP (Ivory Porcelain)			
		TXI (Textured Ivory)	TB08 (8" Long Tube)	DAZL (Double Azure Lichen)	NVM (Navy Matte)			
		TXW (Textured White)	AD01 (As Designed)	DBLL (Double Black Lichen)	VDL (Verde Lichen)			
				DCHL (Double Chocolate Lichen)	VDM (Verde Matte)			

Incandescent Base Lamp Specs

E12 Type T

Type	E12 Type T
Input Voltage	120
Watts Each	4.5
Lumens Each	450
Color Temperature	3000 K
Life Expectancy	3 yrs, 25,000 hours

Type	E12 Type T
Input Voltage	120
Watts Each	6.0
Lumens Each	600
Color Temperature	3000 K
Life Expectancy	3 yrs, 25,000 hours

Type	E12 Type T
Input Voltage	120
Watts Each	9.5
Lumens Each	950
Color Temperature	3000 K
Life Expectancy	3 yrs, 25,000 hours