



**CAUTION:**

BEFORE INSTALLING FIXTURE, MAKE SURE THE POWER TO THE CIRCUIT IS TURNED OFF AT THE MAIN FUSE BOX / CIRCUIT BREAKER UTILITY BOX.

**Important Safety Instructions:**

- These instructions are provided for your safety. It is very important that they are read carefully and completely before beginning the assembly and installation of this lighting fixture.

- **We strongly recommend that a professional electrician install all direct wire fixtures.**

- THIS PRODUCT MUST BE INSTALLED IN ACCORDANCE WITH THE APPLICABLE INSTALLATION CODES BY A PERSON FAMILIAR WITH THE CONSTRUCTION AND OPERATION OF THE PRODUCT AND THE HAZARDS INVOLVED.

- The lighting fixture is meant for indoor use. DAMP or DRY LOCATIONS. It must be connected only to 3-wire, single-phase electrical supply systems (provided with ground wire or equivalent protection system)

- This fixture has been rated for THREE (3) 25-watt maximum TYPE T candelabra base (E-12) incandescent bulbs (not included) or TWO (2) 4.5 -watt and ONE (1) 6.0-watt TYPE T candelabra base (E-12) LED bulbs (included).

To avoid the risk of fire, do not exceed the recommended lamp wattage.

- Save these instructions.

**WARNING:**

- To reduce the risk of fire, electrical shock, or personal injury, always turn off light fixture and allow it to cool prior to replacing bulb.

- Do not touch bulb when fixture is turned on. Do not look directly at lit bulb.

- Keep flammable materials away from lit bulb.



---

**GENERAL NOTES:**

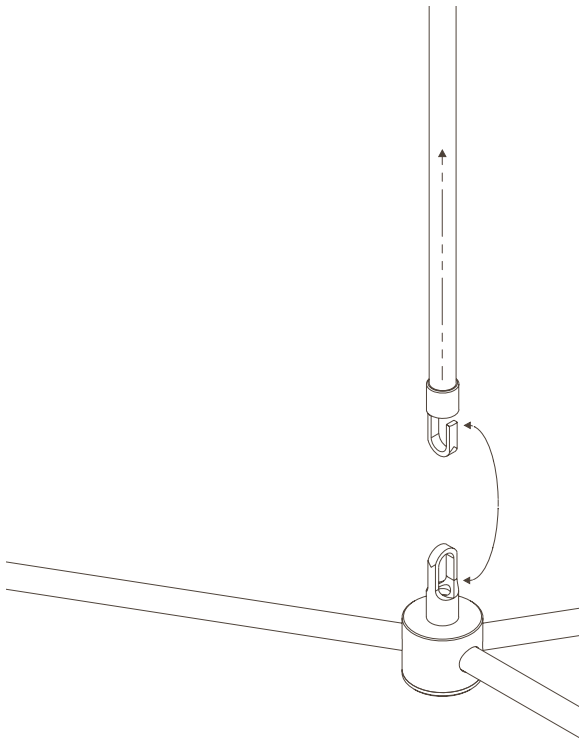
- Ceramic and brass collars should be attached AFTER fixture is installed.

**STEP ONE:**

- Turn off circuit power.
- Prepare j-box.

**STEP TWO: Prepare fixture for install.**

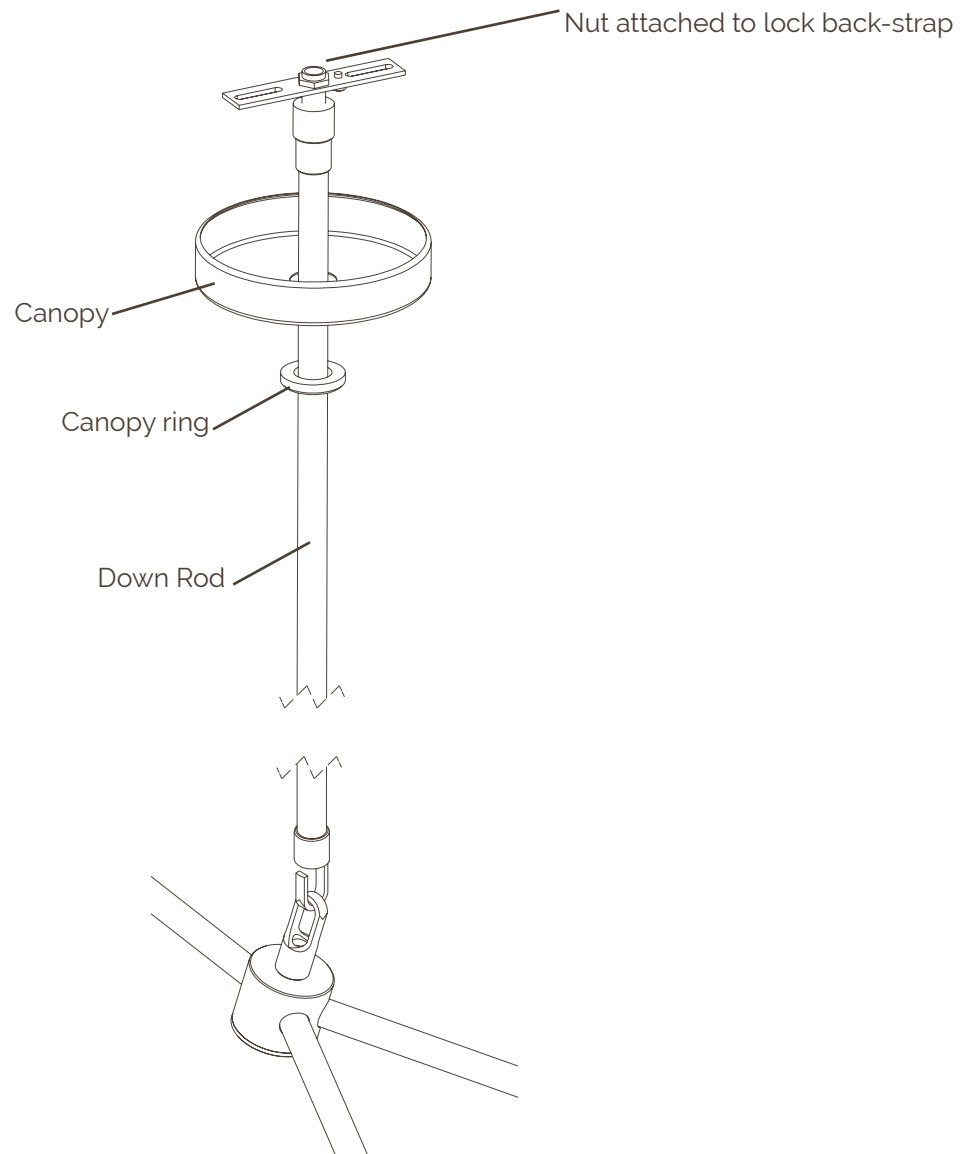
- Slip wire from fixture through downrod assembly.
- Hook fixture and downrod together.
- Take care when hooking the two pieces to avoid scratches.





**STEP THREE:**

- With caution, slip canopy ring and canopy down the fixture to rest on center fixture hub.
- Attach back-strap and locking nut to top end of down-rod assembly.





---

**STEP FOUR:**

- Connect fixture to j-box.
- Make wire connections. Grounding through the fixture is provided by the back-strap ground screw.

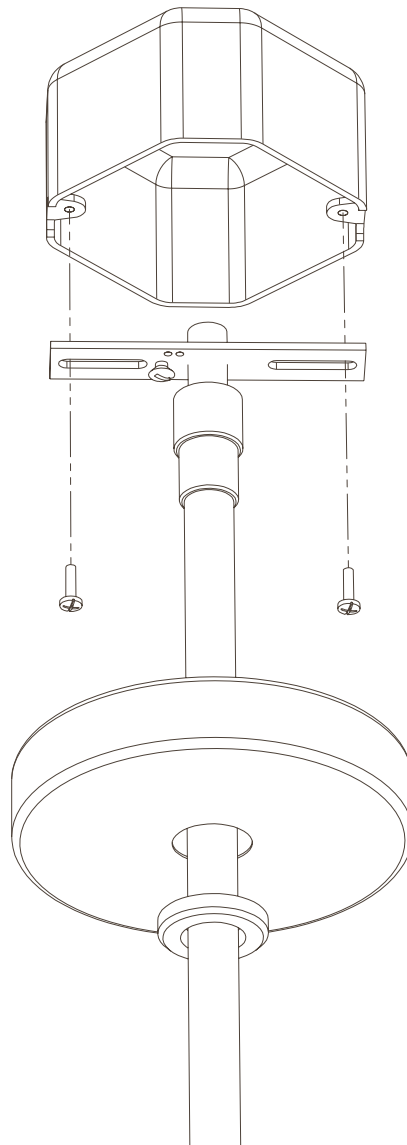
Notes:

SMOOTH OR BLACK WIRE IS HOT WIRE.

Ribbed or white wire is the neutral wire.

DO NOT REVERSE THE HOT AND NEUTRAL CONNECTIONS OR SAFETY WILL BE COMPROMISED.

- Bring canopy up to cover the j-box and secure in place with the canopy ring.





**STEP FIVE:**

- Install ceramic with brass collars. There is a slightly oversized hole in the ceramic to allow for minor adjustments for leveling the bottom edges.
- Install included bulbs and glass diffusers.

**BE CAREFUL TO NOT OVER TIGHTEN BRASS COLLAR OR CERAMIC WILL CRACK.**

