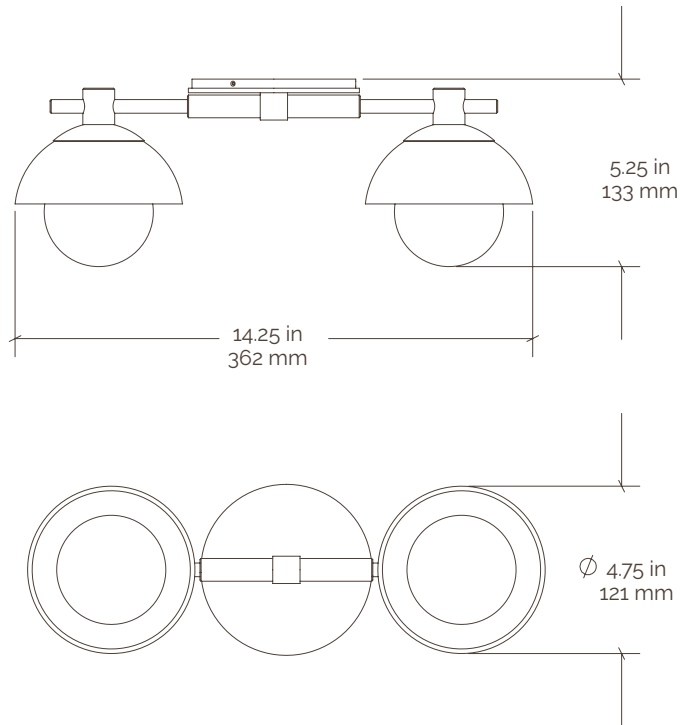




# Dixon Double Sconce 4.75" Hemisphere

Incandescent



|                         |   |                          |  |
|-------------------------|---|--------------------------|--|
| <b>Collection</b>       | Dixon                                       | <b>Mounting</b>          | 4 in octagon box or handy box                    |
| <b>Number</b>           | DIX-SC02                                    | <b>Backplate</b>         | 4.75 in / 121 mm                                 |
| <b>Product</b>          | Sconce                                      | <b>Certifications</b>    | UL listed / Damp                                 |
| <b>Appx. Dimensions</b> | H: 5.25 in / 133 mm<br>W: 14.25 in / 362 mm | <b>Ceramic Reflector</b> | HM04   |
| <b>Weight</b>           | 3.2 lbs / 1.5 kgs                           | <b>Glass Diffuser</b>    | SP03   |
| <b>Materials</b>        | Brass & Terracotta                          | <b>Lamping</b>           | 120V / E12 Type T                                |
|                         |   | <b>Lamping Spec</b>      | 4.5 w / 450 lm / 3000 k each                     |
| <b>Finishes</b>         | Available in any Pax brass & ceramic finish | <b>Dimming</b>           | Dimmable with most incandescent and LED dimmers. |

\*WALL MOUNT ONLY

**SKU Key** Finish legend available at [paxlighting.com/finishes](http://paxlighting.com/finishes)





# Specifications

## SKU Legend

| XX-                  | XXX-           | XXX-                   | XXXX-                          | XXX-                           | Ceramic Finish             | XXXX-          | X               |
|----------------------|----------------|------------------------|--------------------------------|--------------------------------|----------------------------|----------------|-----------------|
| Fixture Type         | Family         | Metal Finish           | Ceramic                        | Ceramic Finish                 | Ceramic Finish Cont.       | Diffuser Shape | Diffuser Finish |
| CF (Ceiling Fixture) | BAN (Bancroft) | BRB (Brushed Brass)    | HM04 (4" Diameter Hemisphere)  | AZL (Azure Lichen)             | DIVL (Double Ivory Lichen) | SP03           | W (White)       |
| FM (Flush Mount)     | EMM (Emmet)    | BRN (Brushed Nickel)   | HM07 (7" Diameter Hemisphere)  | AZM (Azure Matte)              | DVDL (Double Verde Lichen) | SP04           |                 |
| PD (Pendant)         | DIX (Dixon)    | DAB (Dark Aged Brass)  | HM12 (12" Diameter Hemisphere) | BLL (Black Lichen)             | FRM (Forest Matte)         | SP05           |                 |
| SC (Sconce)          | LAW (Lawrence) | GRA (Graphite)         | CN12 (12" Height Cone)         | BLM (Black Matte)              | IVL (Ivory Lichen)         |                |                 |
| FL (Floor)           | ROS (Roseland) | LAB (Light Aged Brass) | LD15 (15" Diameter Low Dome)   | CHL (Chocolate Lichen)         | IVP (Ivory Porcelain)      |                |                 |
| TB (Table)           | CRE (Creston)  | TXB (Textured Black)   | TB04 (4" Short Tube)           | CHM (Chocolate Matte)          | NVM (Navy Matte)           |                |                 |
|                      |                | TXI (Textured Ivory)   | TB08 (8" Long Tube)            | DAZL (Double Azure Lichen)     | VDL (Verde Lichen)         |                |                 |
|                      |                | TXW (Textured White)   | AD01 (As Designed)             | DBLL (Double Black Lichen)     | VDM (Verde Matte)          |                |                 |
|                      |                |                        |                                | DCHL (Double Chocolate Lichen) |                            |                |                 |

## Incandescent Base Lamp Specs

### E12 Type T

|                   |                     |
|-------------------|---------------------|
| Type              | E12 Type T          |
| Input Voltage     | 120                 |
| Watts Each        | 4.5                 |
| Lumens Each       | 450                 |
| Color Temperature | 3000 K              |
| Life Expectancy   | 3 yrs, 25,000 hours |

|                   |                     |
|-------------------|---------------------|
| Type              | E12 Type T          |
| Input Voltage     | 120                 |
| Watts Each        | 6.0                 |
| Lumens Each       | 600                 |
| Color Temperature | 3000 K              |
| Life Expectancy   | 3 yrs, 25,000 hours |

|                   |                     |
|-------------------|---------------------|
| Type              | E12 Type T          |
| Input Voltage     | 120                 |
| Watts Each        | 9.5                 |
| Lumens Each       | 950                 |
| Color Temperature | 3000 K              |
| Life Expectancy   | 3 yrs, 25,000 hours |