



**CAUTION:**

BEFORE INSTALLING FIXTURE, MAKE SURE THE POWER TO THE CIRCUIT IS TURNED OFF AT THE MAIN FUSE BOX / CIRCUIT BREAKER UTILITY BOX.

**Important Safety Instructions:**

• These instructions are provided for your safety. It is very important that they are read carefully and completely before beginning the assembly and installation of this lighting fixture.

• **We strongly recommend that a professional electrician install all direct wire fixtures.**

• THIS PRODUCT MUST BE INSTALLED IN ACCORDANCE WITH THE APPLICABLE INSTALLATION CODES BY A PERSON FAMILIAR WITH THE CONSTRUCTION AND OPERATION OF THE PRODUCT AND THE HAZARDS INVOLVED.

• The lighting fixture is meant for indoor use. DAMP or DRY LOCATIONS. It must be connected only to 3-wire, single-phase electrical supply systems (provided with ground wire or equivalent protection system).

• This fixture has been rated for ONE (1) 25-watt maximum TYPE T candelabra base (E-12) incandescent bulbs (not included) or ONE (1) 6.0 -watt TYPE T candelabra base (E-12) LED bulb (included).

To avoid the risk of fire, do not exceed the recommended lamp wattage.

• Save these instructions.

**WARNING:**

• To reduce the risk of fire, electrical shock, or personal injury, always turn off light fixture and allow it to cool prior to replacing light bulb.

• Do not touch bulb when fixture is turned on. Do not look directly at lit bulb.

• Keep flammable materials away from lit bulb.



**STEP ONE:**

- Turn off circuit power.
- Prepare j-box.

**STEP TWO:**

- Make wire connections.

Notes:

SMOOTH OR BLACK WIRE IS HOT WIRE.

Ribbed or white wire is the neutral wire.

DO NOT REVERSE THE HOT AND NEUTRAL CONNECTIONS OR SAFETY WILL BE COMPROMISED.  
(If grounding via j-box - this can be done now. Otherwise, leave ground wire sticking out until adapter ring is attached.)

**STEP THREE:**

- Connect adapter ring to j-box.
- Per local codes, connect ground wire or jumper from ground to the adapter ring with provided ground screw on back of adapter ring.

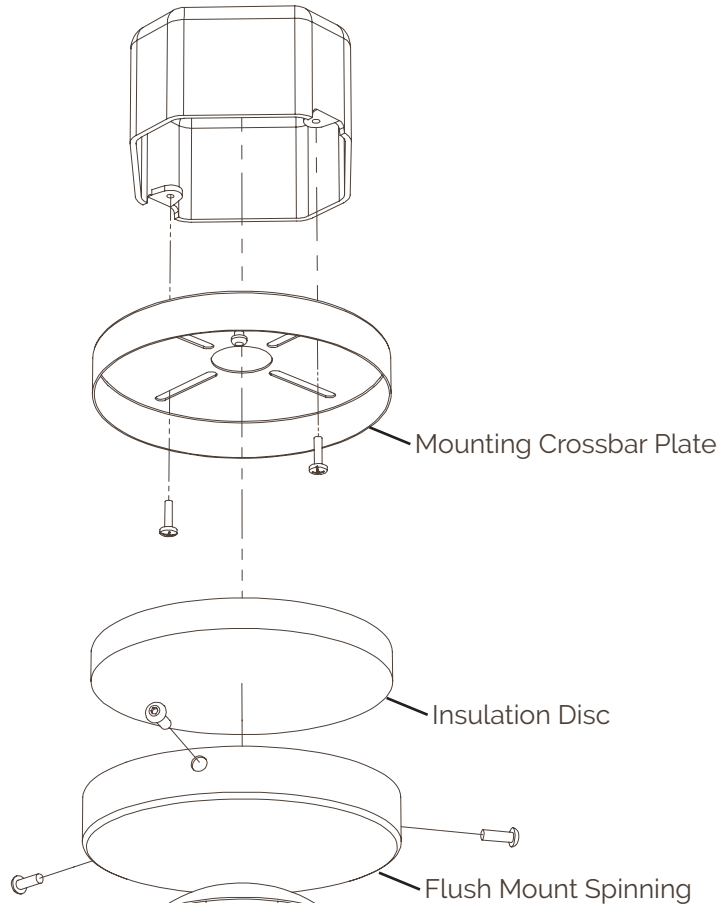
**STEP FOUR:**

- Secure insulation into adapter ring.
- Connect sconce to adapter ring with 3 included screws in canopy.

**STEP FIVE:**

- Install ceramic with brass collar. There is a slightly oversized hole in the ceramic to allow for minor adjustments for leveling the bottom edges.
- Install included bulb and glass diffuser.

**BE CAREFUL TO NOT OVER TIGHTEN BRASS COLLAR OR CERAMIC WILL CRACK.**





**EMM-FM01-LD15 / Emmet Flush Mount Low Dome**  
Assembly and Installation Instructions

