

## PARTS LIST

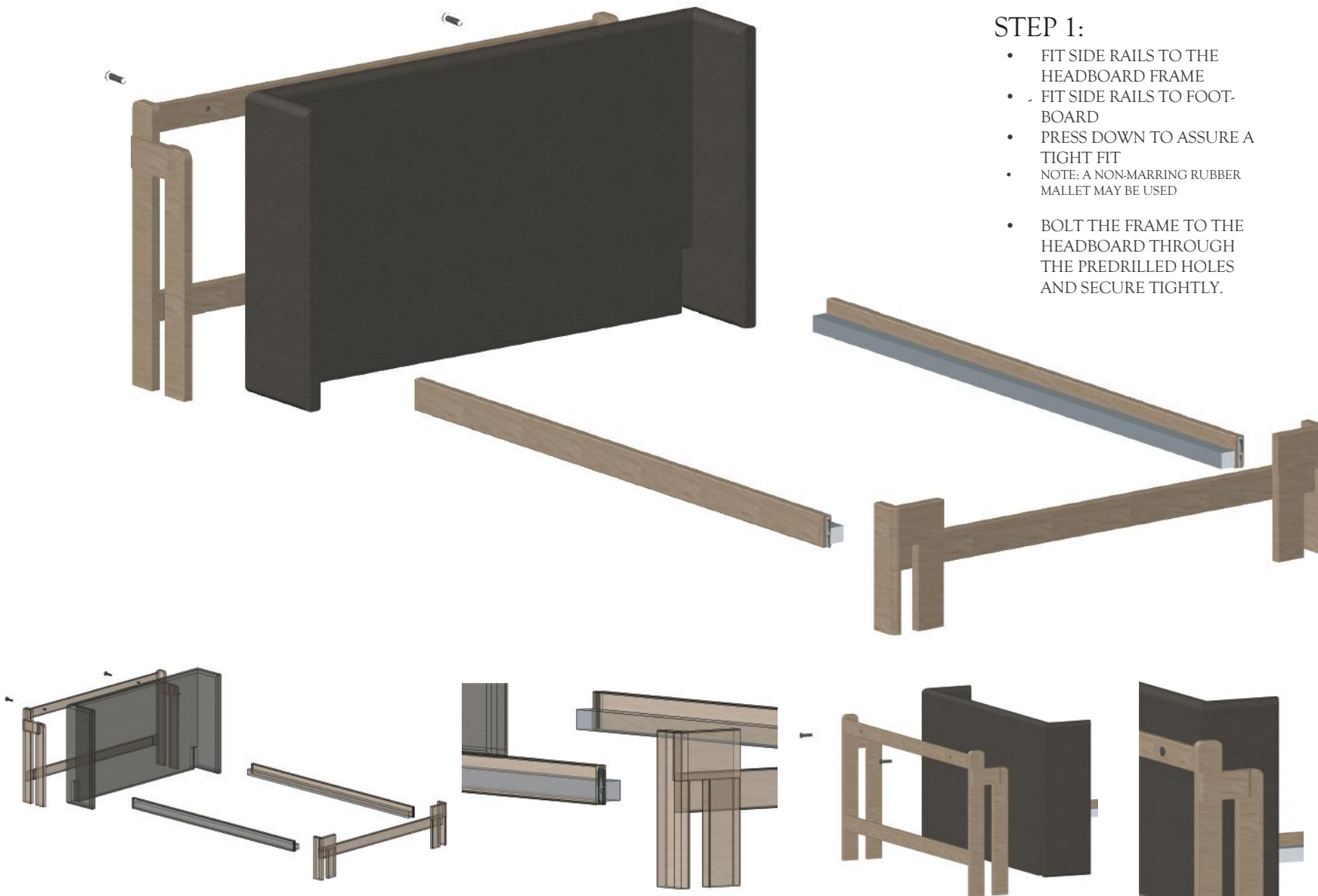
HEADBOARD-	1
FOOTBOARD-	1
SIDE RAILS-	2
PLATFORM	2

Made  
in  
LA



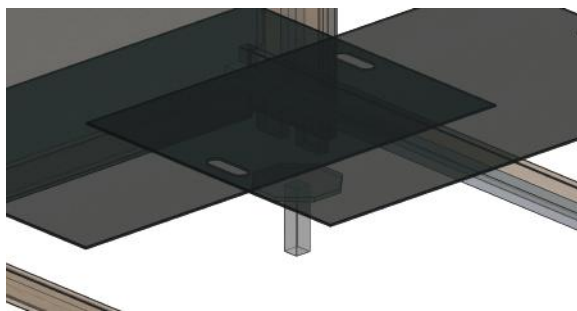
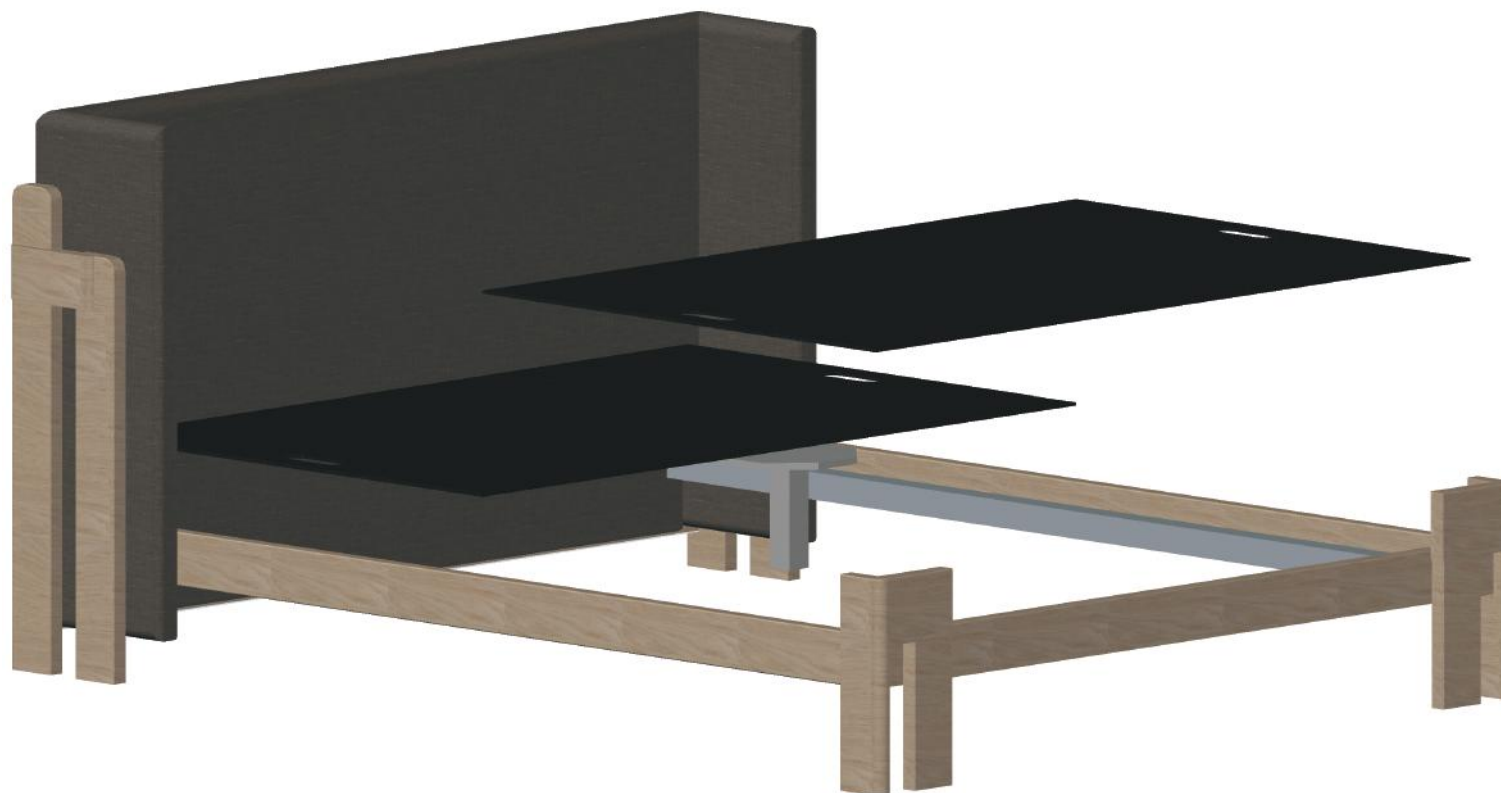
## STEP 1:

- FIT SIDE RAILS TO THE HEADBOARD FRAME
- FIT SIDE RAILS TO FOOTBOARD
- PRESS DOWN TO ASSURE A TIGHT FIT
- NOTE: A NON-MARRING RUBBER Mallet MAY BE USED
- BOLT THE FRAME TO THE HEADBOARD THROUGH THE PREDRILLED HOLES AND SECURE TIGHTLY.



Made  
in  
LA

Page 2 of 3



### STEP 3:

- FIRST DROP THE PLATFORM WITH THE VERTICAL SUPPORT DOWN
- DROP IN SECOND PLATFORM

Made  
in  
LA