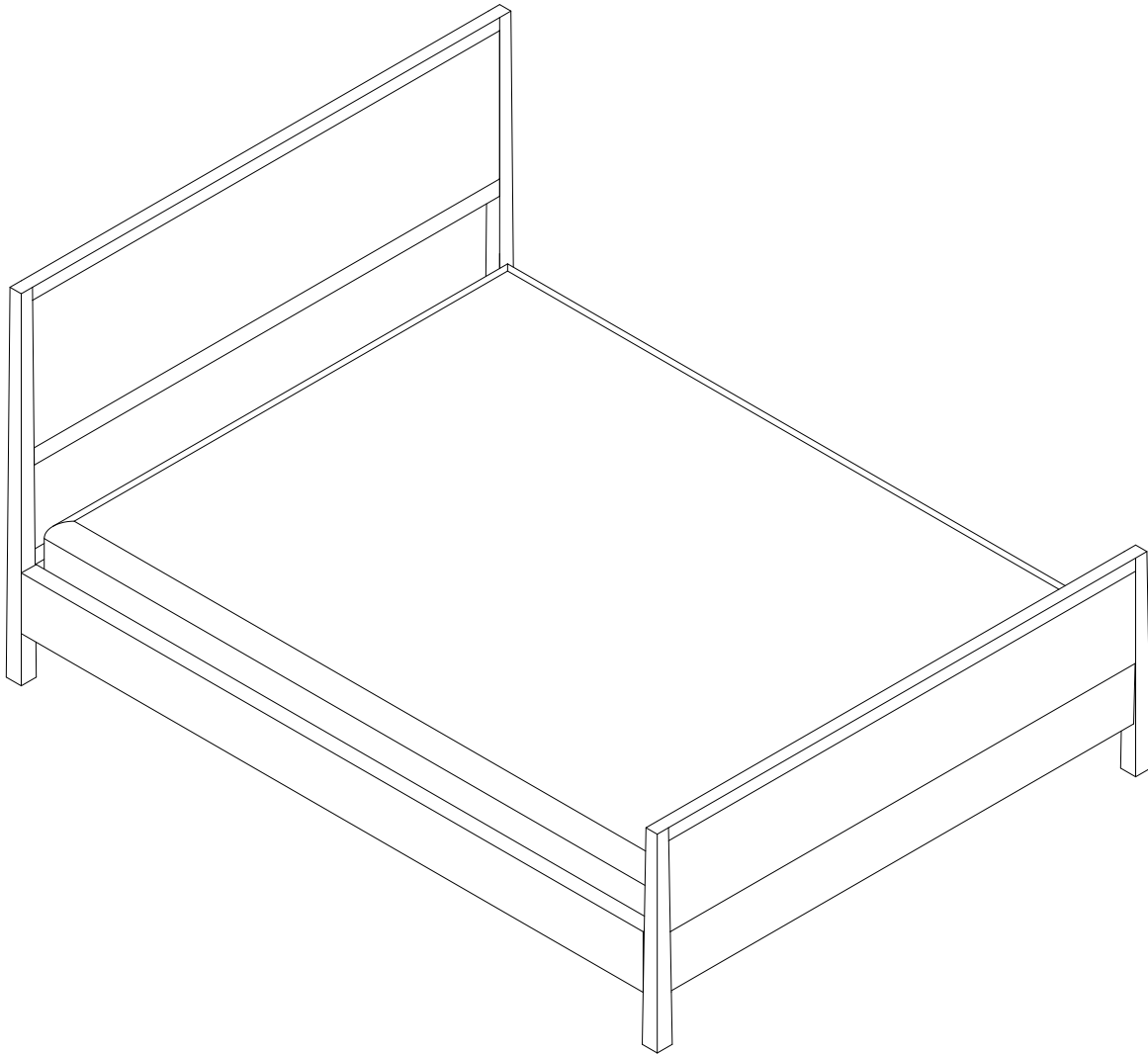


Auden Bed

Assembly Instructions



PARTS LIST

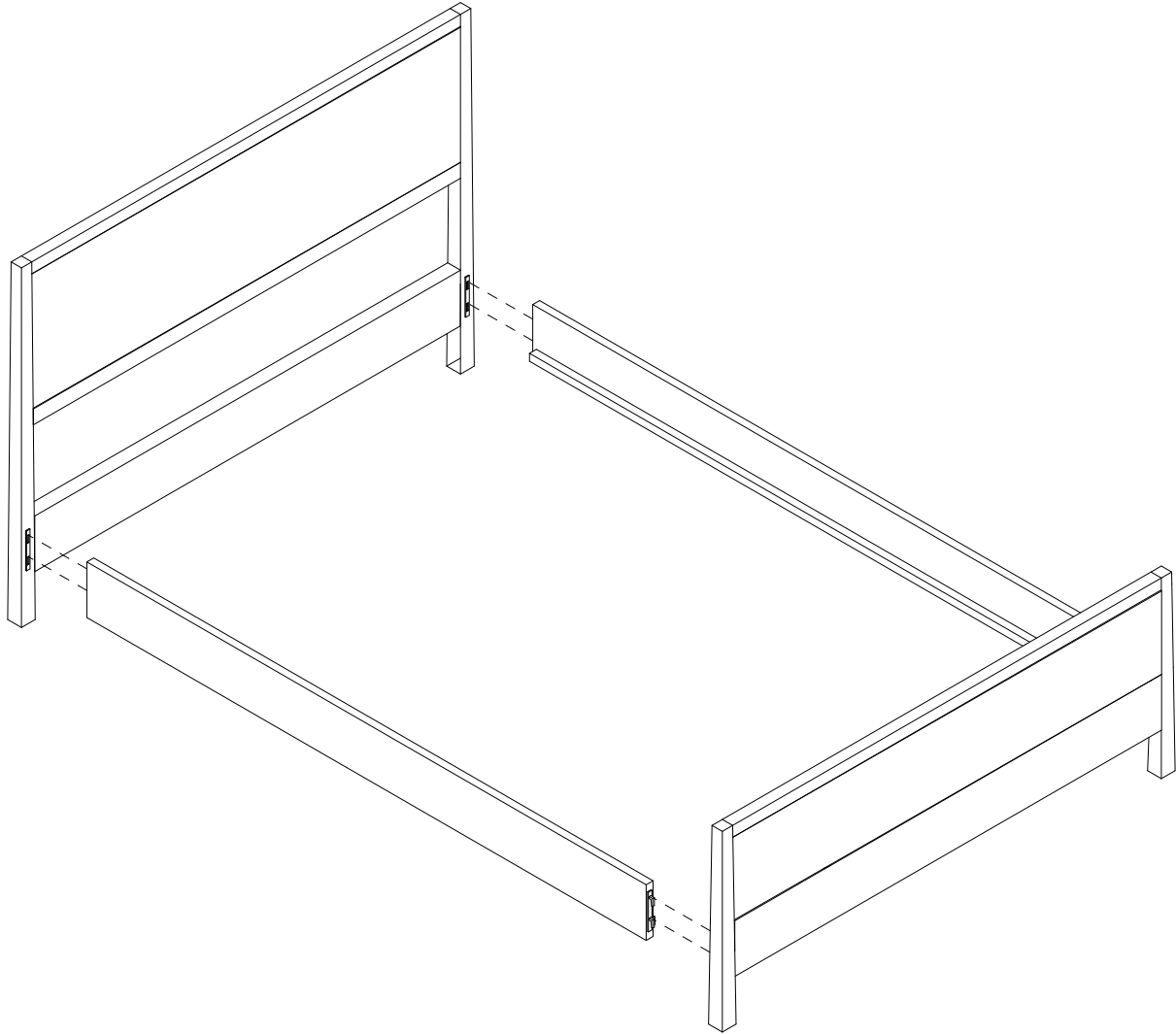
HEADBOARD	x1
FOOT BOARD	x1
SIDE RAILS	x2
PLATFORM	x2

lawson-fenning

www.lawsonfenning.com
info@lawsonfenning.com

Auden Bed

Assembly Instructions



STEP 1

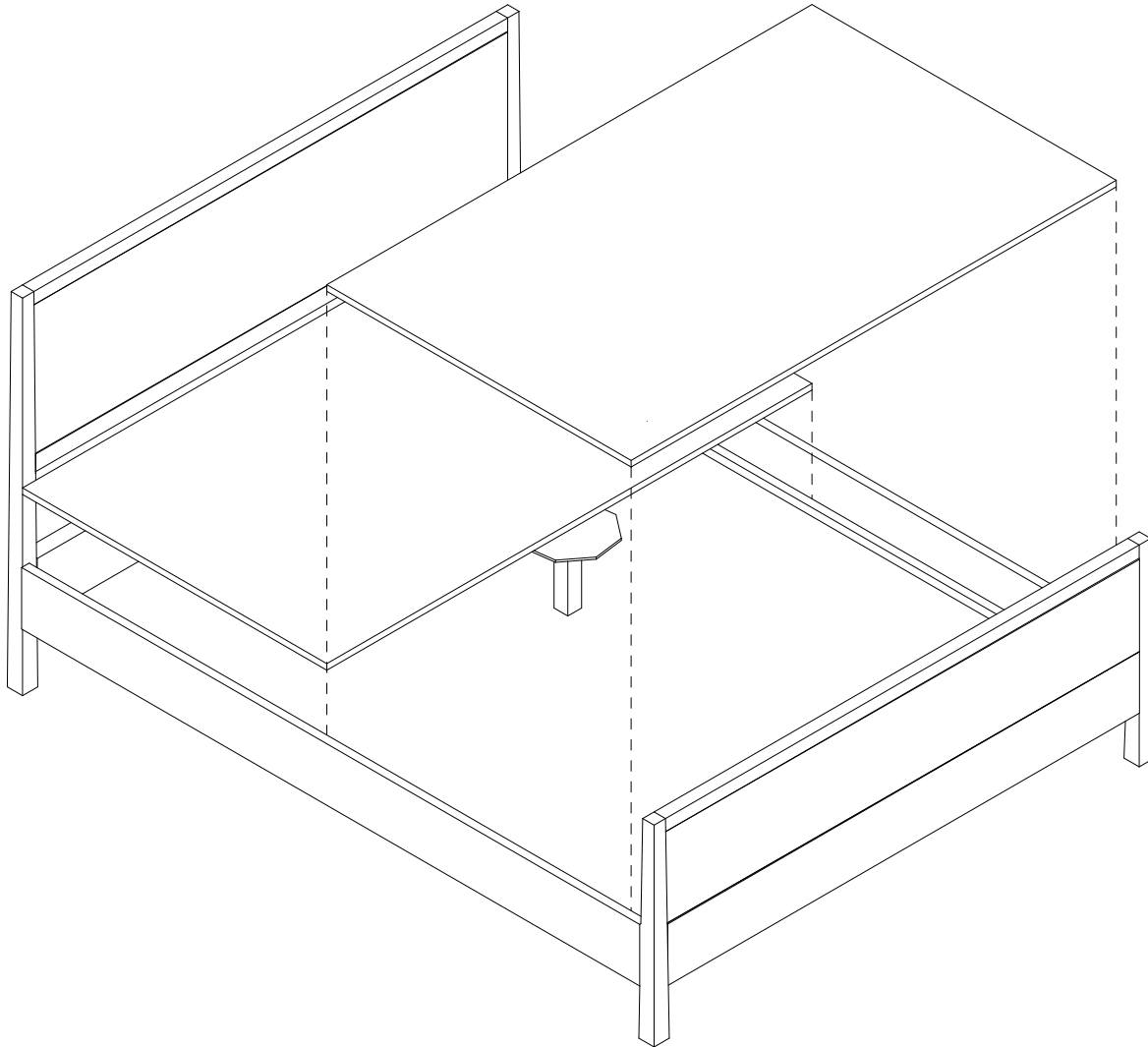
- FIT SIDE RAILS TO HEADBOARD
- FIT SIDE RAILS TO FOOTBOARD
- PRESS DOWN TO ENSURE A TIGHT FIT
- NOTE: A NON-MARRING RUBBER MALLET MAY BE USED

lawson-fenning

www.lawsonfenning.com
info@lawsonfenning.com

Auden Bed

Assembly Instructions



STEP 2

- FIRST DROP THE PLATFORM WITH THE VERTICAL SUPPORT DOWN
- DROP IN SECOND PLATFORM

lawson-fenning

www.lawsonfenning.com
info@lawsonfenning.com