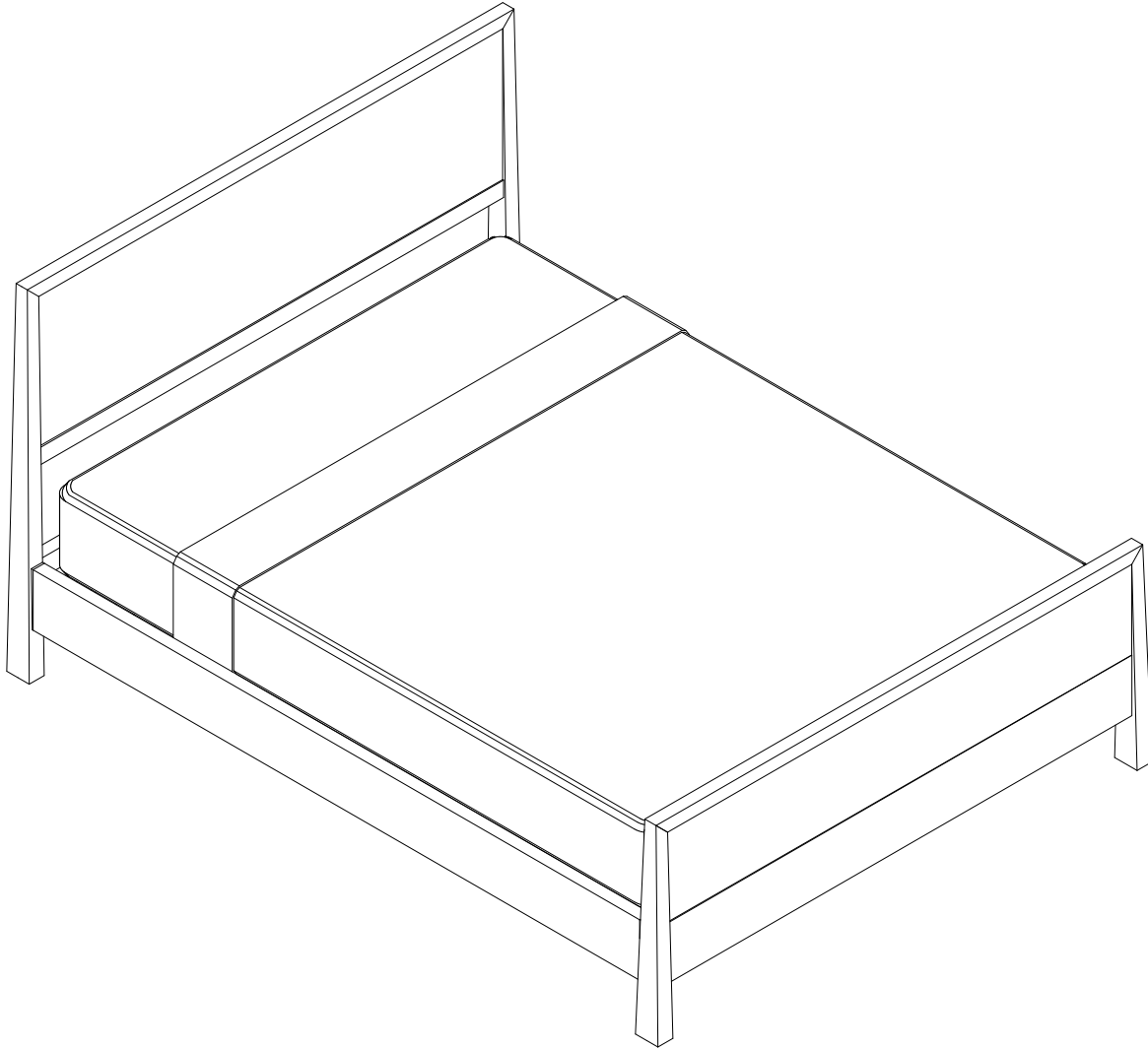


Caned Bed

Assembly Instructions



PARTS LIST

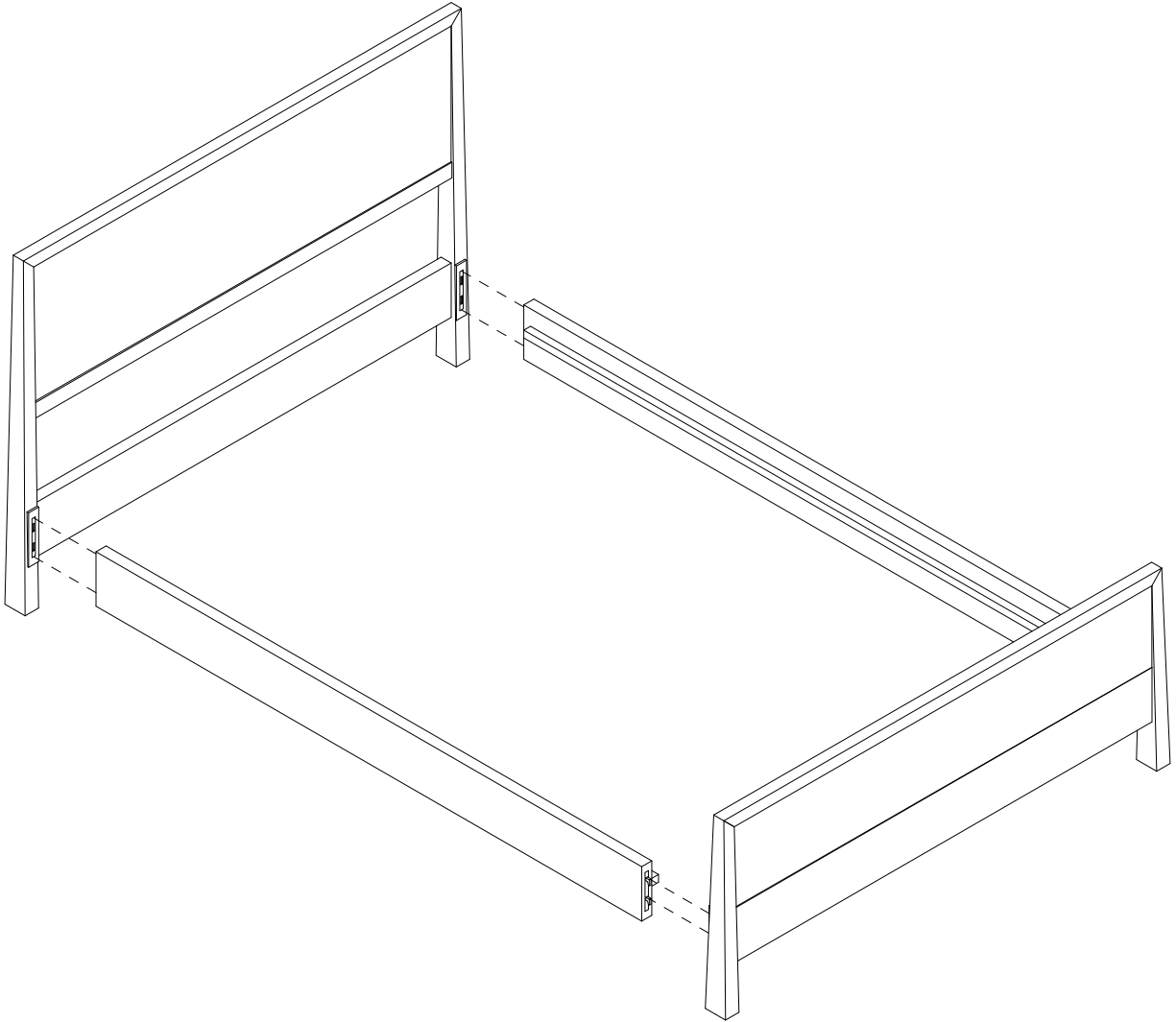
| | |
|------------|----|
| HEADBOARD | x1 |
| FOOT BOARD | x1 |
| SIDE RAILS | x2 |
| PLATFORM | x2 |

lawson-fenning

www.lawsonfenning.com
info@lawsonfenning.com

Caned Bed

Assembly Instructions



STEP 1

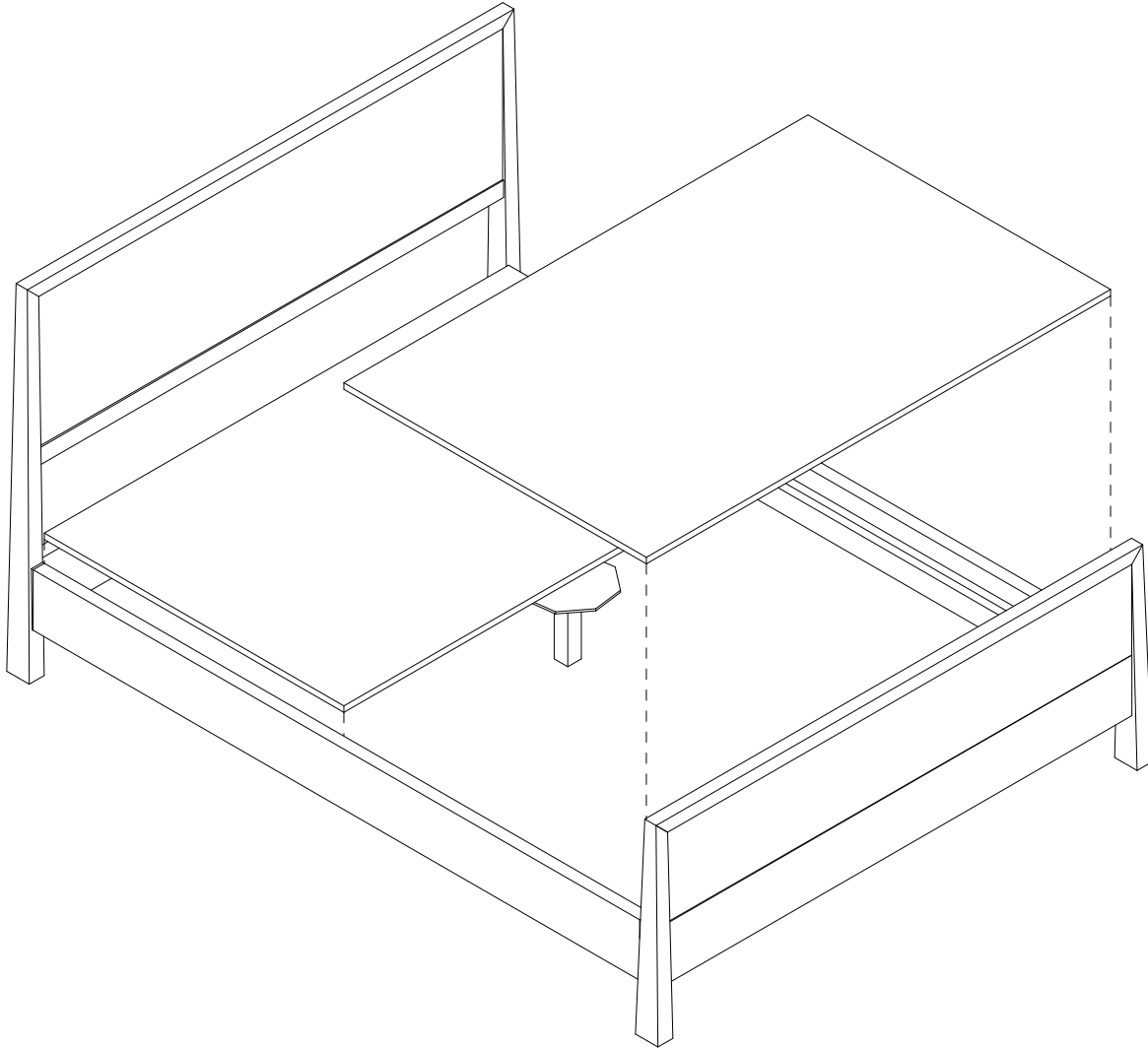
- FIT SIDE RAILS TO HEADBOARD
- FIT SIDE RAILS TO FOOTBOARD
- PRESS DOWN TO ENSURE A TIGHT FIT
- NOTE: A NON-MARRING RUBBER MALLET MAY BE USED

lawson-fenning

www.lawsonfenning.com
info@lawsonfenning.com

Caned Bed

Assembly Instructions



STEP 2

- FIRST DROP THE PLATFORM WITH THE VERTICAL SUPPORT DOWN
- DROP IN SECOND PLATFORM

lawson-fenning

www.lawsonfenning.com
info@lawsonfenning.com