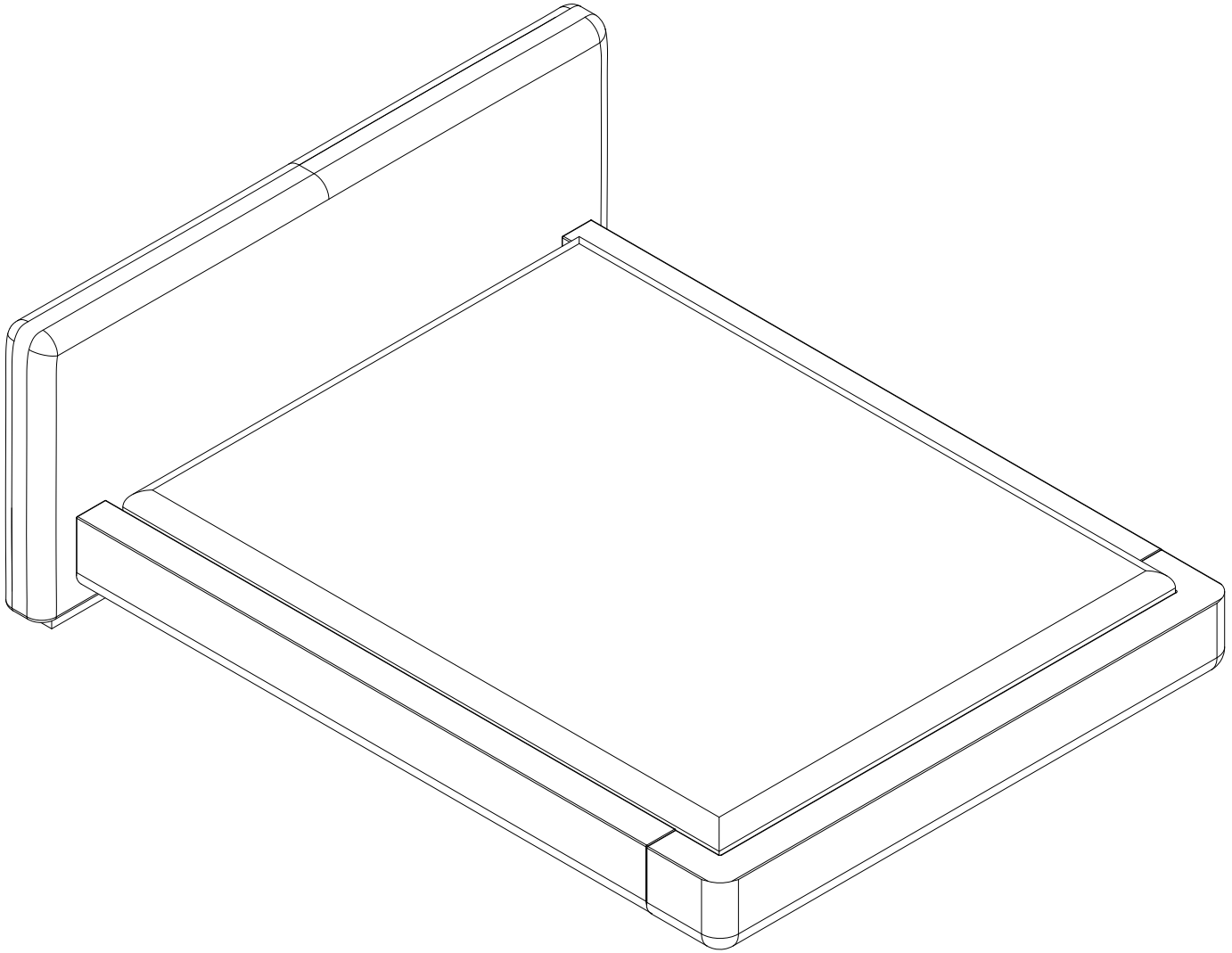


# Mesa Bed

Assembly Instructions



## PARTS LIST

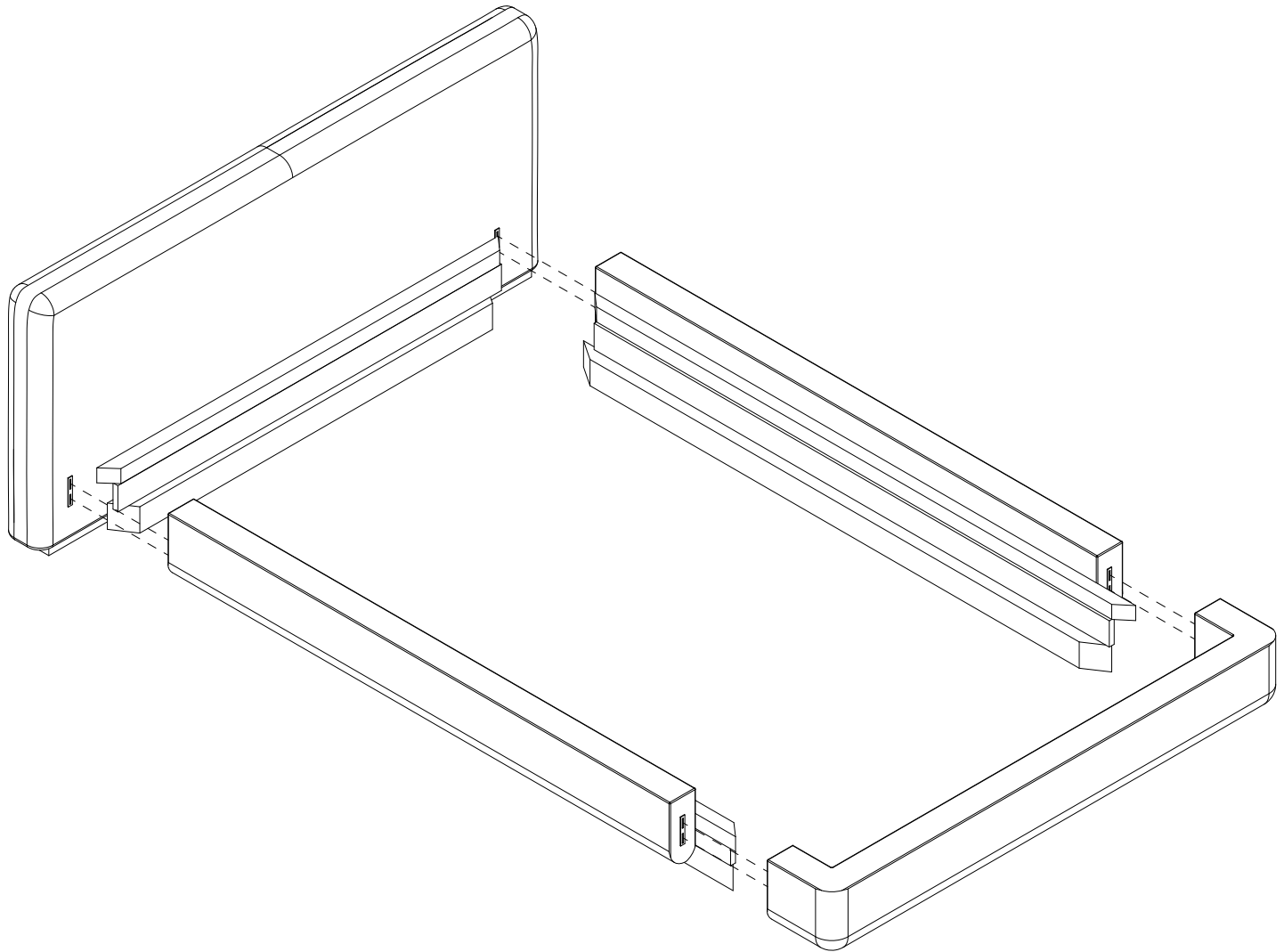
HEADBOARD	x1
FOOT BOARD	x1
SIDE RAILS	x2
PLATFORM	x2

lawson-fenning

[www.lawsonfenning.com](http://www.lawsonfenning.com)  
[info@lawsonfenning.com](mailto:info@lawsonfenning.com)

# Mesa Bed

Assembly Instructions



## STEP 1

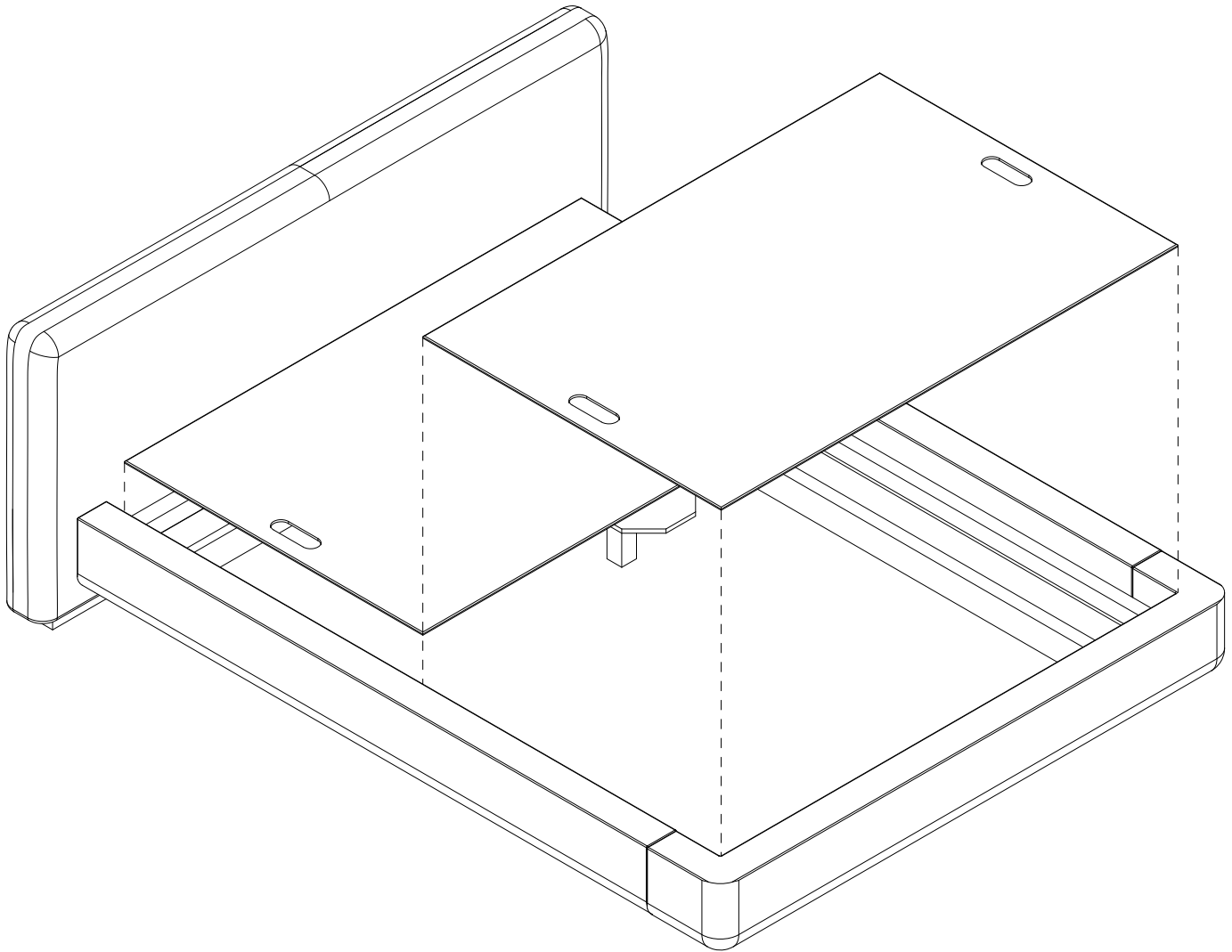
- FIT SIDE RAILS TO HEADBOARD
- FIT SIDE RAILS TO FOOTBOARD
- PRESS DOWN TO ENSURE A TIGHT FIT
- NOTE: A NON-MARRING RUBBER MALLET MAY BE USED

lawson-fenning

[www.lawsonfenning.com](http://www.lawsonfenning.com)  
[info@lawsonfenning.com](mailto:info@lawsonfenning.com)

# Mesa Bed

Assembly Instructions



## STEP 2

- FIRST DROP THE PLATFORM WITH THE VERTICAL SUPPORT DOWN
- DROP IN SECOND PLATFORM

lawson-fenning

[www.lawsonfenning.com](http://www.lawsonfenning.com)  
[info@lawsonfenning.com](mailto:info@lawsonfenning.com)