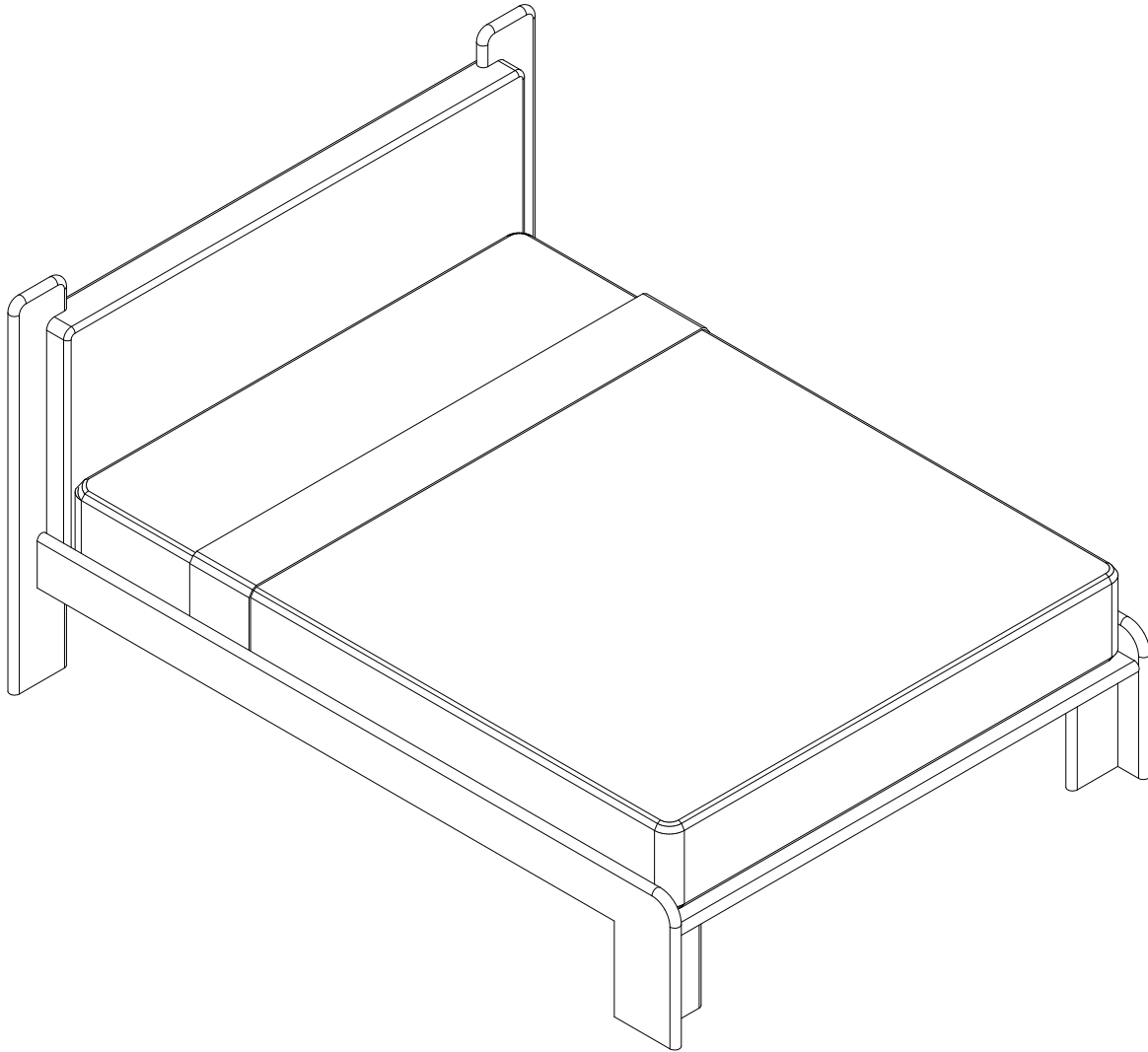


Topa Bed

Assembly Instructions



PARTS LIST

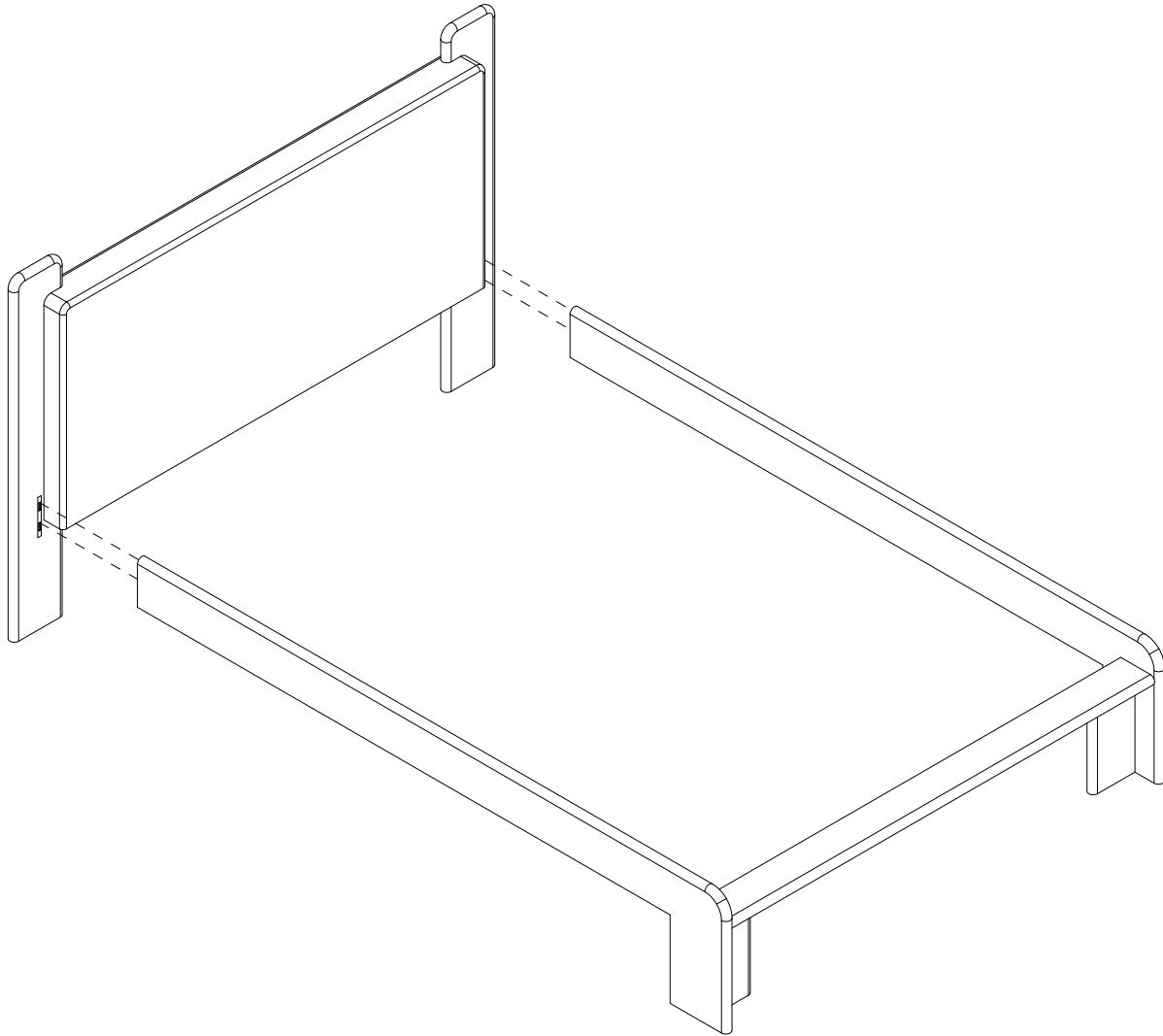
HEADBOARD	x1
FOOTBOARD	x1
SIDE RAILS	x2
PLATFORM	x2
CORNER BRACKET	x2
1/4-20 x 3/4" HEX HEAD BOLTS	x12

lawson-fenning

www.lawsonfenning.com
info@lawsonfenning.com

Topa Bed

Assembly Instructions



STEP 1

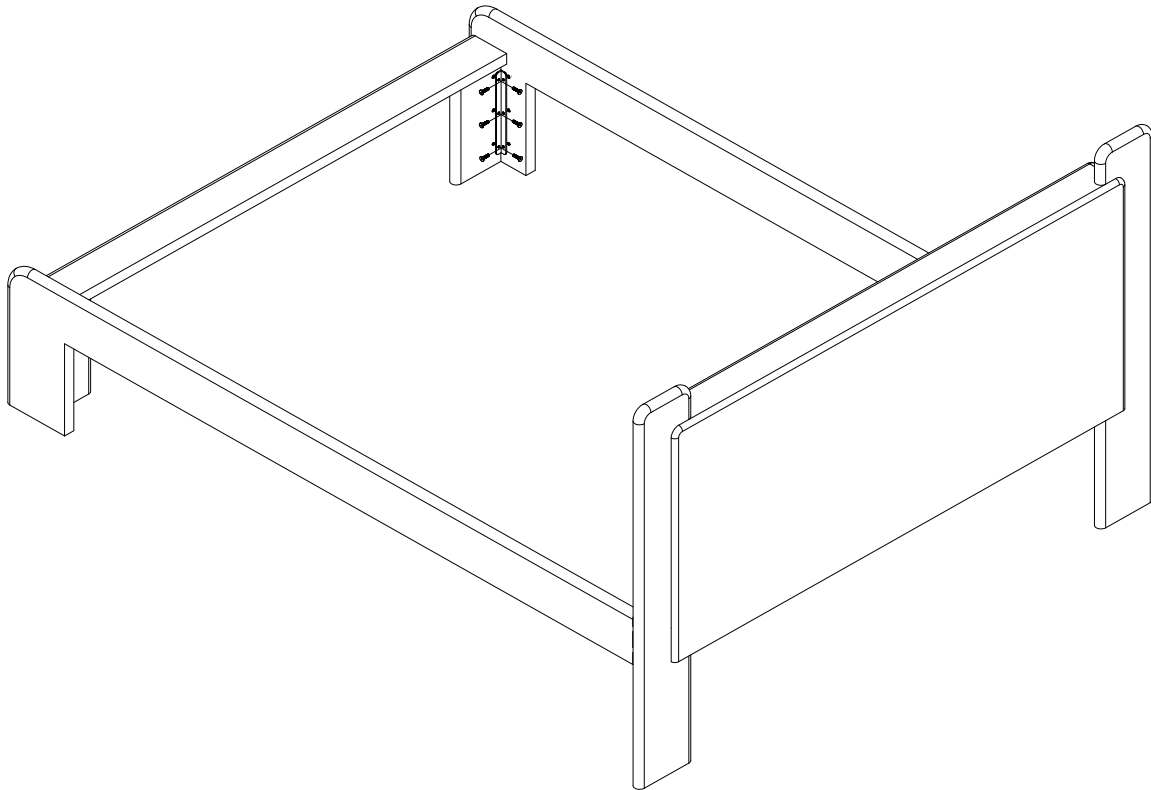
- FIT SIDE RAILS TO THE HEADBOARD
- NOTE: A NON-MARRING RUBBER Mallet MAY BE USED

lawson-fenning

www.lawsonfenning.com
info@lawsonfenning.com

Topa Bed

Assembly Instructions



STEP 2

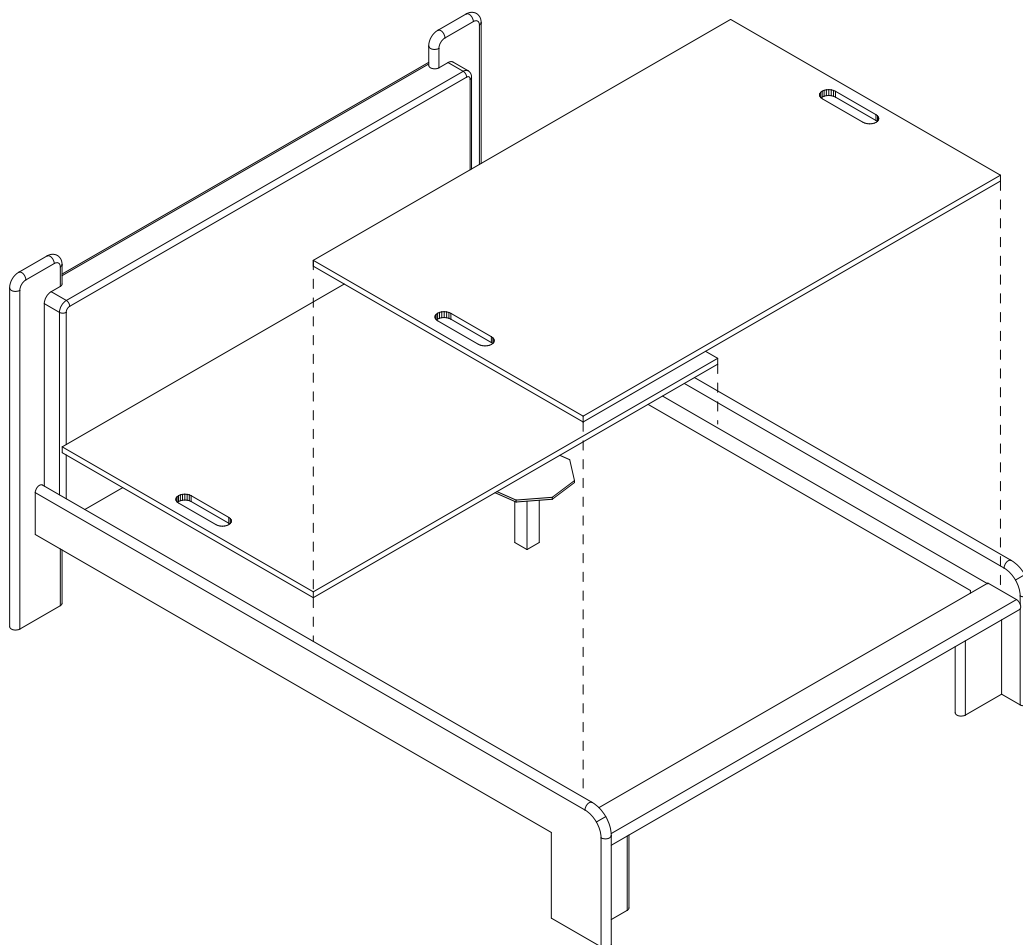
- FIT FOOTBOARD BASE TO THE SIDE RAILS USING SUPPLIED CORNER BRACKET (2) AND BOLTS (12- 1/4 - 20 x 3/4")

lawson-fenning

www.lawsonfenning.com
info@lawsonfenning.com

Topa Bed

Assembly Instructions



STEP 3

- FIRST DROP PLATFORM WITH VERTICAL SUPPORT
- DROP IN SECOND PLATFORM

lawson-fenning

www.lawsonfenning.com
info@lawsonfenning.com