



NOTE: Installation by a certified electrician is recommended.

Gloves must be worn at all times when handling brass parts to prevent natural oils and fingerprint contact.

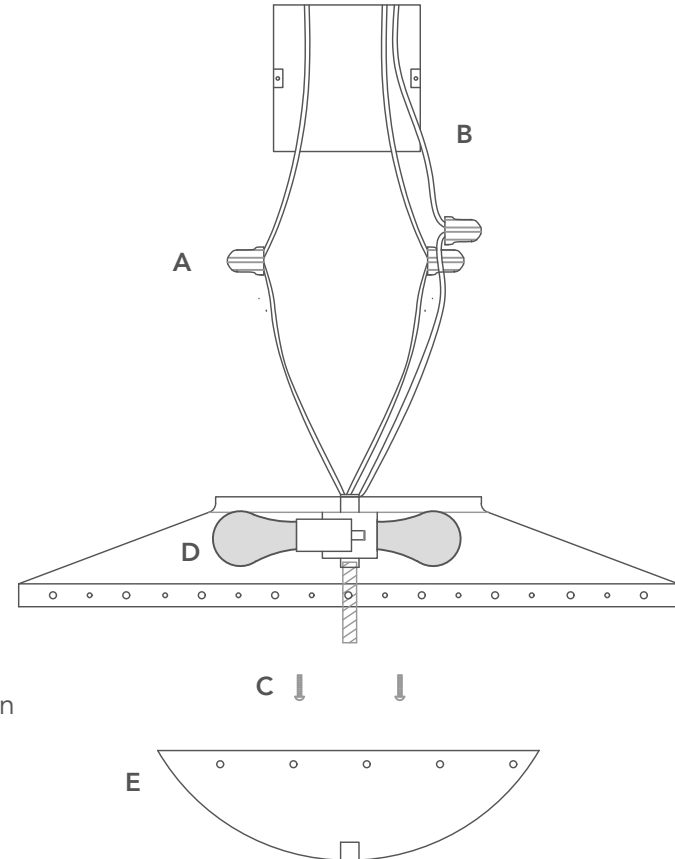
SAFETY WARNINGS:

IMPORTANT! ALWAYS ENSURE ELECTRICITY IS OFF BEFORE BEGINNING INSTALLATION

- Find your main fuse or breaker box in your home. Place main power switch in the "off" position and unscrew the fuse(s), or turn all circuit breaker switch(es) that control power to the room in which you are working to "off."
- Turn any wall switch(es) to the off position. If any pull chains or switches are on the fixture, place in "off" mode.
- Do not damage any wire insulation during installation.
- Ensure no rough or sharp edges are in contact with any wires.

MOUNTING INSTRUCTIONS

1. Connect the fixture to supply and ground wires **(A)**. Ensure the connection is secure (connectors are not included).
2. Place the fixture on the junction box **(B)**.
3. Insert the mounting bolts **(C)**.
(do not over tighten the bolts, as this may dent the back plate).
4. Insert the provided bulbs (HALCO 9103) **(D)**.
5. Screw the small dome to the larger dome **(E)**.



Pruckel Flush Mount Assembly Instructions

2024