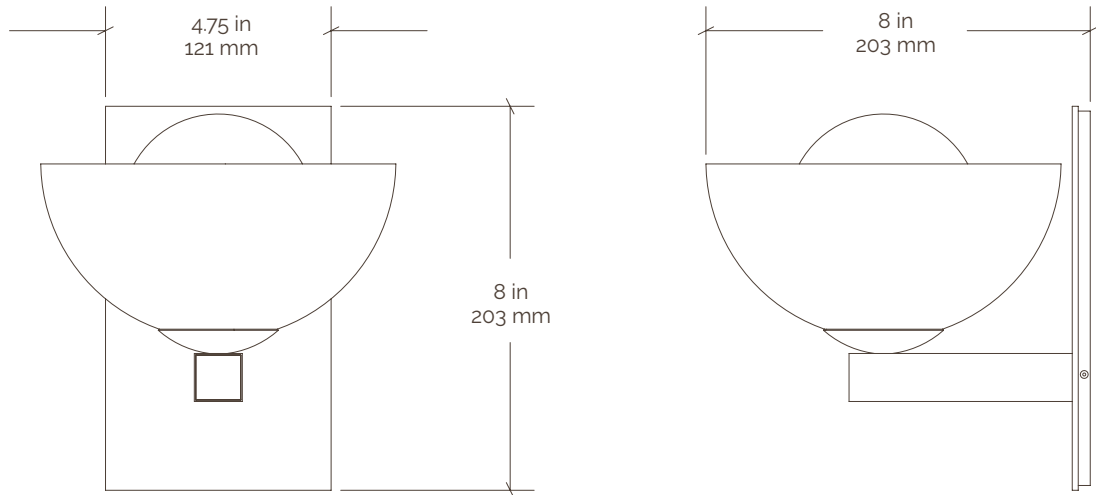




Roseland Sconce 7.5" Hemisphere

Incandescent



Collection	Roseland	Mounting	4 in octagon box or handy box
Number	ROS-SC02	Backplate	H: 8 in / 203 mm
Product	Sconce		W: 4.25 in / 108 mm
Appx. Dimensions	H: 8 in / 203 mm W: 4.75 in / 121 mm Projection: 8 in / 203 mm	Certifications	UL listed / Damp
Weight	3.5 lbs / 1.6 kgs	Ceramic Reflector	Hm07
Materials	Brass & Terracotta	Glass Diffuser	SP04
Finishes	Available in any Pax brass & ceramic finish	Lamping	120V / E12 Type T
		Lamping Spec	6.0 w / 600 lm / 3000 k each
		Dimming	Dimmable with most incandescent and LED dimmers.

*WALL MOUNT ONLY

SKU Key Finish legend available at paxlighting.com/finishes

R	O	S	-	S	C	0	2	-					H	M	0	7	-					S	P	0	4	-	W
Model				Metal Finish				Ceramic				Ceramic Finish				Diffuser											



Specifications

SKU Legend

XX-	XXX-	XXX-	XXXX-	XXX-	Ceramic Finish	XXXX-	X
Fixture Type	Family	Metal Finish	Ceramic	Ceramic Finish	Ceramic Finish Cont.	Diffuser Shape	Diffuser Finish
CF (Ceiling Fixture)	BAN (Bancroft)	BRB (Brushed Brass)	HM04 (4" Diameter Hemisphere)	AZL (Azure Lichen)	DIVL (Double Ivory Lichen)	SP03	W (White)
FM (Flush Mount)	EMM (Emmet)	BRN (Brushed Nickel)	HM07 (7" Diameter Hemisphere)	AZM (Azure Matte)	DVDL (Double Verde Lichen)	SP04	
PD (Pendant)	DIX (Dixon)	DAB (Dark Aged Brass)	HM12 (12" Diameter Hemisphere)	BLL (Black Lichen)	FRM (Forest Matte)	SP05	
SC (Sconce)	LAW (Lawrence)	GRA (Graphite)	CN12 (12" Height Cone)	BLM (Black Matte)	IVL (Ivory Lichen)		
FL (Floor)	ROS (Roseland)	LAB (Light Aged Brass)	LD15 (15" Diameter Low Dome)	CHL (Chocolate Lichen)	IVP (Ivory Porcelain)		
TB (Table)	CRE (Creston)	TXB (Textured Black)	TB04 (4" Short Tube)	CHM (Chocolate Matte)	NVM (Navy Matte)		
		TXI (Textured Ivory)	TB08 (8" Long Tube)	DAZL (Double Azure Lichen)	VDL (Verde Lichen)		
		TXW (Textured White)	AD01 (As Designed)	DBLL (Double Black Lichen)	VDM (Verde Matte)		
				DCHL (Double Chocolate Lichen)			

Incandescent Base Lamp Specs

E12 Type T

Type	E12 Type T
Input Voltage	120
Watts Each	4.5
Lumens Each	450
Color Temperature	3000 K
Life Expectancy	3 yrs, 25,000 hours

Type	E12 Type T
Input Voltage	120
Watts Each	6.0
Lumens Each	600
Color Temperature	3000 K
Life Expectancy	3 yrs, 25,000 hours

Type	E12 Type T
Input Voltage	120
Watts Each	9.5
Lumens Each	950
Color Temperature	3000 K
Life Expectancy	3 yrs, 25,000 hours