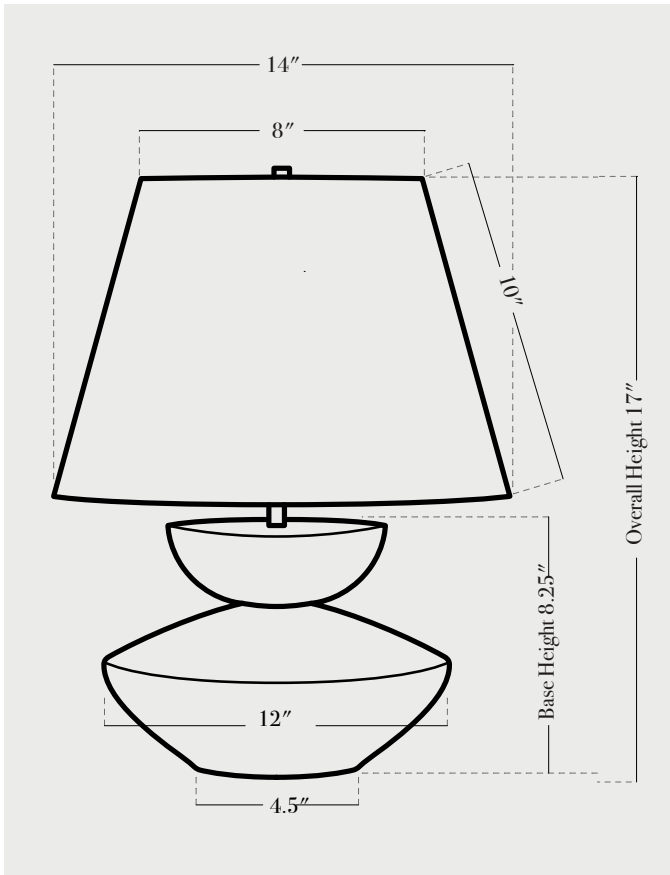




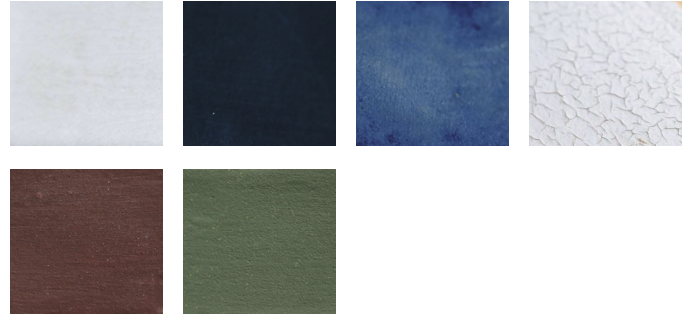
Varinia 18 inches



PRODUCT SPECIFICATIONS

BASE FINISHES

stone, anthracite, lapis, terrasig, chestnut, ivy



BASE DETAILS

glazed ceramic, 15 - 20 lbs. depending on size

SHADE DETAILS

off-white or black linen

METAL DETAILING

unfinished brass

SWITCH TYPE

socket dial (switch on socket)

RECOMMENDED WATTAGE

60 watts incandescent or LED equivalent

PRODUCTION LEAD TIME

8-10 weeks single

10-12 weeks multiple

NOTES

1. This item is handmade, and may exhibit variability within the same piece. We do our best to maintain a consistent product, but honor the handmade craftsmanship. Dimensions may vary within an inch.

2. UL Certification available upon request.